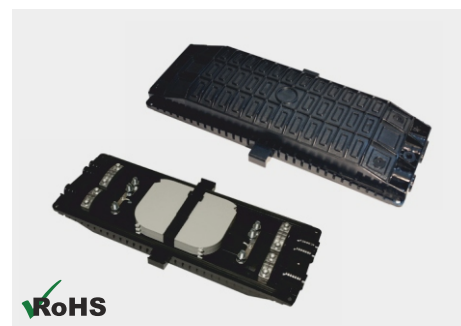


# HORIZONTAL/STRAIGHT SPLICING CLOSURE

FOSC Horizontal/Straight splicing closures are excellent protector of fibre optic joints from outdoor environment such as UV, water and weather with leak proof sealing. For easy splicing operation, closure consists of well managed no. of cable through and splice tray. Splicing operation, closure consists of well managed no. of cable through and splice tray.



## SCOPE OF APPLICATION

Aerial  
Underground  
Pipeline  
Handhole

## FEATURES

Made of high strength polycarbonate.  
Perfect Leak Proof with reliable sealing.  
Suitable for Bunchy & Ribbon Fibre.  
IP 68 rated.

## SPLICE CLOSURE SPECIFICATIONS :

Splice Closure Material	Polycarbonate
Closure External Diameter	H1 Model : 396 x 200 x 126 mm H2 Model : 455 x 220 x 132 mm H3 Model : 560 x 245 x 180 mm
No. of Cable Ports	H1 Model: 6 H2 Model: 6 H3 Model: 16
Operating Temperature	-40 °C to + 65 °C
Degree of Protection	IP 68

## MODEL H1 SPECIFICATIONS :

Model / Version Type	Fibers/Tray	Max. Splice Tray Capacity	Splice Tray Dimension	Suitable Cable Dia.
V1 ( Bunchy )	12F	72F	160 x 108 x 7.5 mm	2 Round Port: 13 mm
V2 ( Bunchy )	12 – 24F	96F	160 x 108 x 11 mm	2 Round Port: 16 mm
V3 ( Ribbon )	36F	144F	160 x 108 x 11 mm	2 Round Port: 20 mm

## MODEL H2 SPECIFICATIONS :

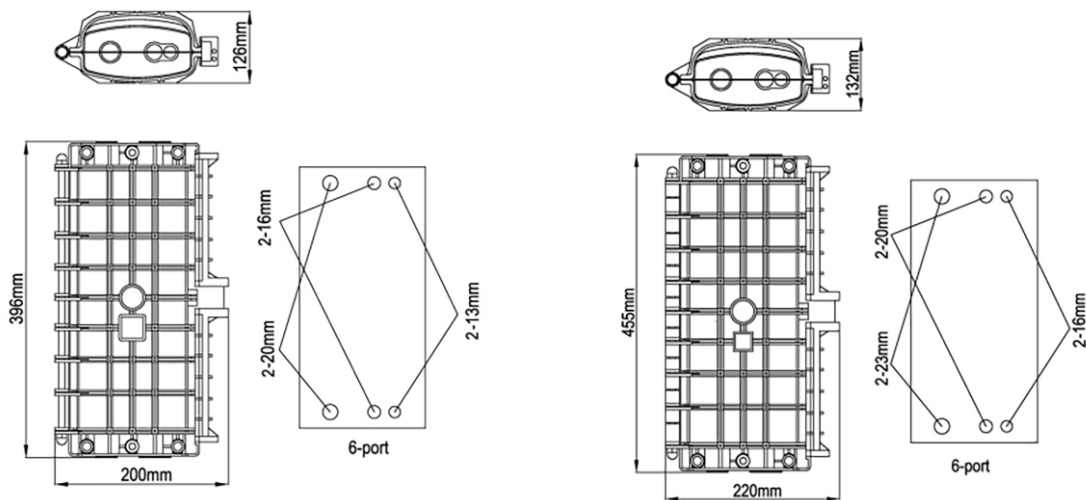
Model / Version Type	Fibers/Tray	Max. Splice Tray Capacity	Splice Tray Dimension	Suitable Cable Dia.
V1 ( Bunchy )	12F	96F	160 x 122 x 7.5 mm	2 Round Port: 16 mm
V2 ( Bunchy )	12 – 24F	144F	160 x 122 x 10 mm	2 Round Port: 20 mm
V3 ( Ribbon )	72F	288F	180 x 127 x 14 mm	2 Round Port: 23 mm

# HORIZONTAL/STRAIGHT SPLICING CLOSURE

## MODEL H3 SPECIFICATIONS :

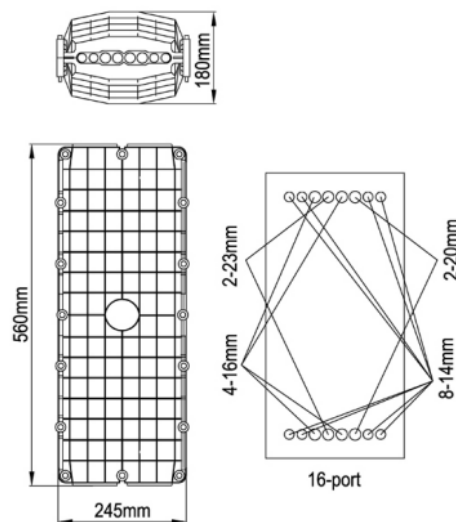
Model / Version Type	Fibers/Tray	Max.Splice Tray Capacity	Splice Tray Dimension	Suitable Cable Dia.
V1 ( Bunchy )	12 – 24F	192F	160 x 122 x 10 mm	8 Round Port : 14 mm
V2 ( Bunchy )	24 – 48F	336F	258 x 154 x 11 mm	4 Round Port : 16 mm
V3 ( Ribbon )	144F	720F	258 x 154 x 14 mm	2 Round Port : 20 mm
V4 ( Ribbon )	216F	1080F	270 x 163 x 15 mm	2 Round Port : 23 mm

## DRAWINGS :



Model H1

Model H2



Model H3

# HORIZONTAL/STRAIGHT SPLICING CLOSURE

## ACCESSORIES :

### Standard Accessories :

No	Items	Quantity
1	Seal Tape	1 roll
2	Abrasive Cloth	1 pc
3	Nylon Tie	1 set
4	Earth Wire	1 pc
5	Protective Sleeve	1 set
6	Special Wrench	3 pcs

### Optional Accessories :

No	Items	Quantity
1	Pressure Test Valve	1 pc
2	Earth Deriving Device	1 pc
3	Pole Mounting Bracket	1 set
4	Wall Mounting Bracket	1 set

## ORDERING GUIDE:

Closure Model	Types of Version	No of Fibre Core	Number of Splice Trays (X)	Splice capacity /Splice Tray	Mounting Type	Valve for Flash Testing	Ground Feed-through Lugs
325	1:H1 Model <ul style="list-style-type: none"> <li>V1 (Bunchy/Max Capacity [72F])</li> <li>V2 (Bunchy/Max Capacity [96F])</li> <li>V3 (Ribbon/Max Capacity [144F])</li> </ul> 2:H2 Model <ul style="list-style-type: none"> <li>V1 (Bunchy/Max Capacity [96F])</li> <li>V2 (Bunchy/Max Capacity [144F])</li> <li>V3 (Ribbon/Max Capacity [288F])</li> </ul> 3:H3 Model <ul style="list-style-type: none"> <li>V1 (Bunchy/Max Capacity [192F])</li> <li>V2 (Bunchy/Max Capacity [336F])</li> <li>V3 (Ribbon/Max Capacity [720F])</li> <li>V4 (Ribbon/Max Capacity [1080F])</li> </ul>	XXX	X: Splice Trays <b>*X – No.of splice tray's according to no.of cores</b>	<b>Bunchy :</b> 1:12F 2:24F 3:48F <b>Ribbon :</b> 4:144F 5:216F	0: Direct Buried P: P/M Bracket W: W/M Bracket	0 : None V : Valve	0 : None G : Ground Feed

\*\*Follow H1, H2, & H3 table for more specifications \*\*

### Part no & Description Example:

325 — 1 V2 024 2 1 0 0 0

Description: 24 Core Horizontal Fibre Optic Splice Closure, Including 2 X 12F Splice Trays., Direct Buried.

325 — 3 V1 096 4 2 P V G

Description: 96 Core Horizontal Fibre Optic Splice Closure, Including 4 X 24F Splice Trays, Pressure Test valve and Ground Feed Lugs with Pole Mount Bracket kit.