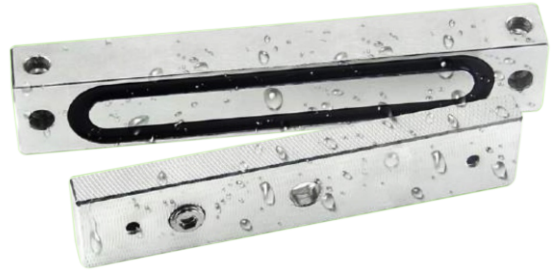


# Waterproof Electromagnetic Lock (220lbs)

Secnor NAC-6002EM waterproof electromagnetic lock has an anodized aluminium housing cover finish and lock finish made of zinc. It finds application in wooden door, glass door, metal door, fireproof door etc.

## Application

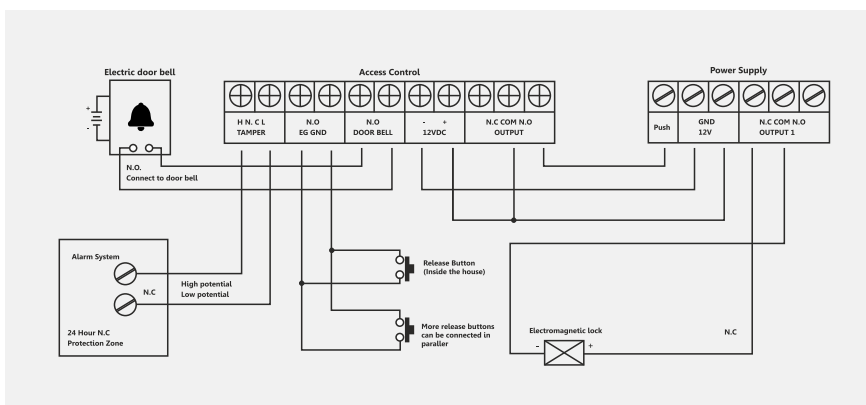
Office areas, schools, communities, office buildings, hotels, shopping malls, shops, public service places, etc.



## Technical Parameters

Fail Safe	Power on to lock
Lock dimensions	160 x 28 x 19 mm
Armature plate dimensions	130 x 28 x 11 mm
Holding force	110Kg (220Lbs)
Current Draw	12V/200mA, 24V/100mA
Cover Finish	Anodized aluminum housing
Lock Finish	Zinc
Armature Plate Finish	Zinc
Weight	1.0 KG
Surface Temp	≤20°C
Operating Temp	-10°C ~ 55°C
Humidity	0~95% (non-condensing)
Application	Wooden door, Glass door, Metal door, Fireproof door

## Wiring diagram



## ORDERING INFORMATION

Part Number	Description
NAC-6002EM	Waterproof Electromagnetic lock ( 220lbs)