

VERTICAL POLE MOUNT BRACKET FOR EYENOR BOX CAMERA



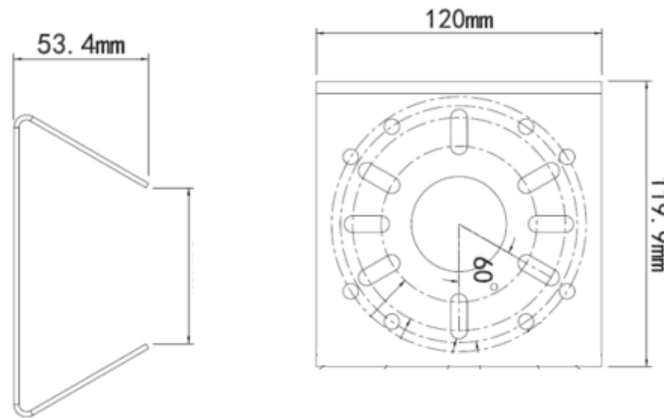
ENB-BV66



SPECIFICATION

MODEL	Model No.	ENB-BV66
	Type	Vertical Pole mount Bracket for Eyenor Box camera
BRACKET	Application	Outdoor, pole or rail installation
	Material	Galvanized sheet
	Dimensions	120x120x53.4mm
	Weight	0.45kg

Dimension Unit: mm



Ordering Information

Part Number	Description	Standard Quantity
ENB-BV66	Vertical Pole mount Bracket for Eyenor Box camera	1

Packing Information

Part Number	Packing Mode	Gross Weight (kg)	Dimension (mm)
ENB-BV66	Carton Box	0.45	120x120x53.4