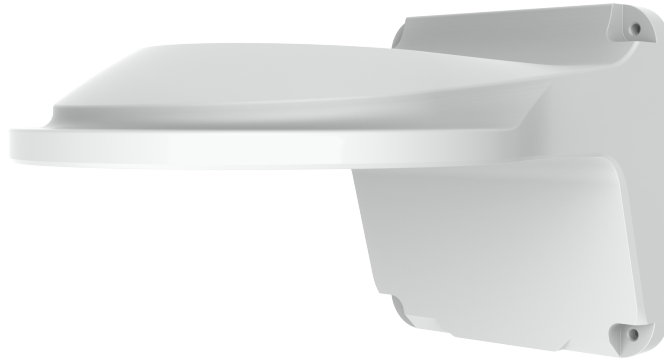


WALL MOUNT BRACKET FOR EYENOR DOME CAMERA



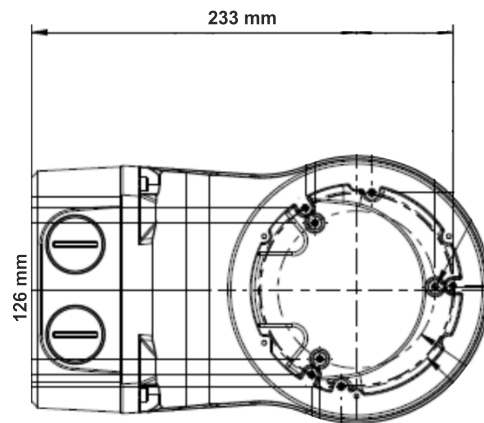
ENB-DW66



SPECIFICATION

MODEL	Model No.	ENB-DW66
	Type	Wall Mount Bracket for Eyenor Dome Camera
BRACKET	Application	Wall installation for Dome Camera & Mini Dome Camera
	Material	Aluminum alloy
	Dimensions	126.2x126.2x233mm
	Weight	0.96kg

Dimension Unit: mm



Ordering Information

Part Number	Description	Standard Quantity
ENB-DW66	Wall Mount Bracket for Eyenor Dome Camera	1

Packing Information

Part Number	Packing Mode	Gross Weight (kg)	Dimension (mm)
ENB-DW66	Carton Box	0.96	126.2x126.2x233

