

WALL MOUNT CABINET SINGLE SECTION

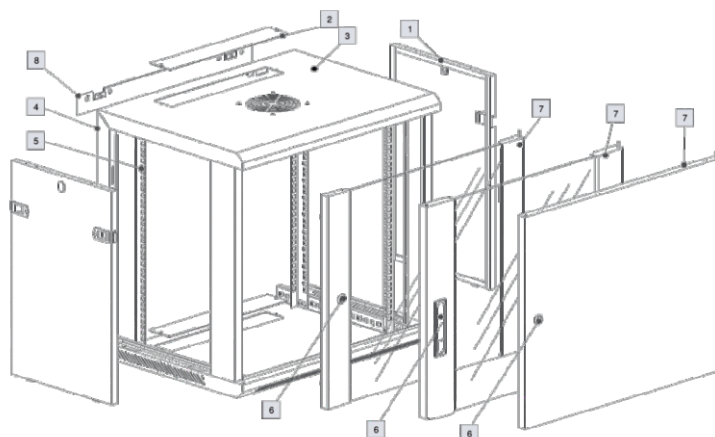


The Easycab range of wall cabinets designed for home/office environment. The cabinet's structure is welded and painted with electro static powder coated finish. Easycab available in different sizes. Comply with ANSI/EIA RS- 310-D, DIN41497 part 1, IEC 297-2, DIN41497 part 7, GB/T3047, 2-92 standards.

FEATURES

- Easy installation
- Standing or wall mounting installation
- Cable entry through bottom and top panel
- 180 degree turning angle for front door
- Removable side panel
- Welded frame
- 19" installation

Material	SPCC cold rolled steel
Degree of protection	IP20
Surface finish	Degreasing, phosphoric, powder coated
Loading capacity	60 KGS
Door material	SPCC cold rolled steel + tempered glass
Door hinges material	Zinc/aluminum alloy
Door bolt material	Iron
End plates and side panels thickness	0.8 mm
Back base thickness	1.0mm
Door frame thickness	1.2mm
Type of profile rail shape	L shape and S shape
Paint coating thickness	60-80mu



STRUCTURE

1. Side panel
2. Cable entry cover
3. Fan cover
4. Frame
5. Mounting profile
6. Lock
7. Front door
8. Mounting panel

WALL MOUNT CABINET SINGLE SECTION

ACCESSORIES

Accessories	Material Of Construction	Surface Coating & Colour	Quantity
Front glass door	5mm toughened glass door /1.2mm SPCC cold rolled steel	Powder coating	1 piece
Allen wrench	Steel	Black colour	1 piece
Mounting Panel	1.2mm SPCC cold rolled steel	Powder coating	1 piece
Cable entry cover	1.2mm SPCC cold rolled steel	Powder coating	1 piece
Fan cover	1.2mm SPCC cold rolled steel	Powder coating	1 piece
Mounting Profile	1.2mm SPCC cold rolled steel	Powder coating	1 piece
Lock with 2 keys	-	-	2 piece
Frame	1.2mm SPCC cold rolled steel	Powder coating	1 piece
M6 Square nut	Steel	Zinc colour	10 piece
M6 head screw	Steel	Zinc colour	10 piece
Side Panel	1.2mm SPCC cold rolled steel	Powder coating	2 piece

ORDERING INFORMATION

Part Number	Description	Capacity (U)	Dimension (mm)
550x600 Size			
1311-06K610X	06U 550 x 600 Single Section Wall Mount Cabinet	06	550 x 600 x 368
1311-09K610X	09U 550 X 600 Single Section Wall Mount Cabinet	09	550 x 600 x 501
1311-12K610X	12U 550 X 600 Single Section Wall Mount Cabinet	12	550 x 600 x 635
1311-15K610X	15U 550 X 600 Single Section Wall Mount Cabinet	15	550 x 600 x 769
600x300 Size			
1311-046310X	04U 600 x 300 Single Section Wall mount Cabinet	04	600 x 300 x 279
1311-066310X	06U 600 x 300 Single Section Wall Mount Cabinet	06	600 x 300 x 368
1311-096310X	09U 600 X 300 Single Section Wall Mount Cabinet	09	600 x 300 x 501
600 x 450 Size			
1311-046410X	04U 600 x 435 Single Section Cabinet	04	600 x 435 x 279
1311-066410X	06U 600 x 450 Single Section Cabinet	06	600 x 450 x 368
1311-096410X	09U 600 x 450 Single Section Cabinet	09	600 x 450 x 501
1311-126410X	12U 600 x 450 Single Section Cabinet	12	600 x 450 x 635
1311-156410X	15U 600 x 450 Single Section Cabinet	15	600 x 450 x 769
1311-186410X	18U 600 x 450 Single Section Cabinet	18	600 x 450 x 901
1311-226410X	22U 600 x 450 Single Section Cabinet	22	600 x 450 x 1082
1311-276410X	27U 600 x 450 Single Section Cabinet	27	600 x 450 x 1304
600 x 600 Size			
1311-066610X	06U 600 x 600 Single Section Cabinet	06	600 x 600 x 368
1311-096610X	09U 600 x 600 Single Section Cabinet	09	600 x 600 x 501
1311-126610X	12U 600 x 600 Single Section Cabinet	12	600 x 600 x 635
1311-156610X	15U 600 x 600 Single Section Cabinet	15	600 x 600 x 769
1311-186610X	18U 600 x 600 Single Section Cabinet	18	600 x 600 x 901
1311-226610X	22U 600 x 600 Single Section Cabinet	22	600 x 600 x 1082
1311-276610X	27U 600 x 600 Single Section Cabinet	27	600 x 600 x 1304
600 x 800 Size			
1311-066810X	06U 600 X 800 Single Section Wall Mount Cabinet	06	600 X 800 X 368
1311-156810X	15U 600 x 800 Single Section Wall Mount Cabinet	15	600 x 800 x 769
1311-186810X	18U 600 x 800 Single Section Cabinet	18	600 x 800 x 901

X: R1(RAL 9004), R2(RAL 7035), R3(RAL 9010)