

CATEGORY 5E PCB PUNCH DOWN 6C MODULE

Norden Category 5E PCB Punch down 6C Module Comply to the industry standard 6C fixing dimension and Compactable with floor boxes, face plates and trunking accessories for 6C Connectors. It has provision for labelling and rear Cable tie point. The modules have a dual style IDC punch down block on the termination side which will allow the installer to terminate with either a 110 or Krone insertion tool and is present with colour coding for both T568A & T568B wiring conventions.



COMPLIANCE

IEEE 802.af, IEEE 802.3at for PoE applications.
ANSI/TIA-568-C.2 and ISO/IEC-11801 [2nd Edition], EN50173-2
Category 5E standards

DESIGN & MATERIALS

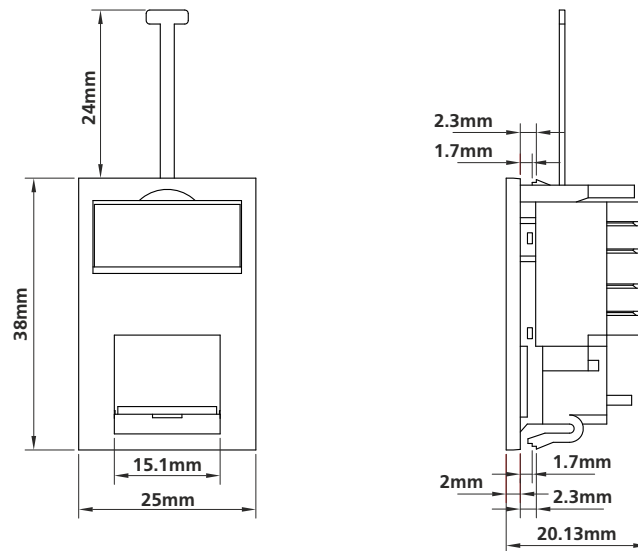
Connector Type	RJ45
Screen	Unshielded
Depth	20.13 mm
Height	38 mm
Width	25 mm
Wire Gauge	22-26 AWG
Housing Material	ABS
Jack Housing Material	High Impact Flame Retardant Plastic Compound-UL94V-0
PCB Material	FR-4 Thickness 1.6 mm
Contact Material	Phosphor Bronze
Storage Temperature Range	-40 °C to +85 °C
Operation Temperature Range	-10 °C to +70 °C
Colour	UK White or others as per request

ELECTRICAL DATA

Current Rating	1.5 A max.
Contact Resistance	< 10 MΩ norm. (excluding body resistance)
Input/Output Resistance	1000 MΩ max.
Input/Output Resistance unbalance	50 MΩ max.
Voltage Rating	125 V rms
Dielectric Strength	750 VAC RMS 60Hz, 1 Min.
Contact Resistance	≥ 100 mΩ norm.
IDC Life	200 Times Min

CATEGORY 5E PCB PUNCH DOWN 6C MODULE

TECHNICAL DIAGRAM



ORDERING INFORMATION

Part Number	Description
12E-22X	Category 5E PCB Punch Down 6C Module

X: BK(Black), BL(Blue), GN(Green), GY(Gray), RD(Red), WH(White), YL(Yellow)

PACKING INFORMATION

Part Number	Packing Qty.	Packing Mode	N.W (kg)	G.W (kg)	Dimension (mm)
12E-22X	50 x 20 x 1	Carton Box	17.0	22.0	620 x 420 x 430