

WALL MOUNT CABINET DOUBLE SECTION



The Easycab range of wall cabinets designed for office environment. The cabinet's structure is welded and painted with electro static powder coated finish. Removable side panels ensure easy installation and maintenance. Easycab available in different sizes. Comply with ANSI/EIA RS- 310-D, DIN41497 part 1, IEC 297-2, DIN41497 part 7, GB/T3047, 2-92 standards.

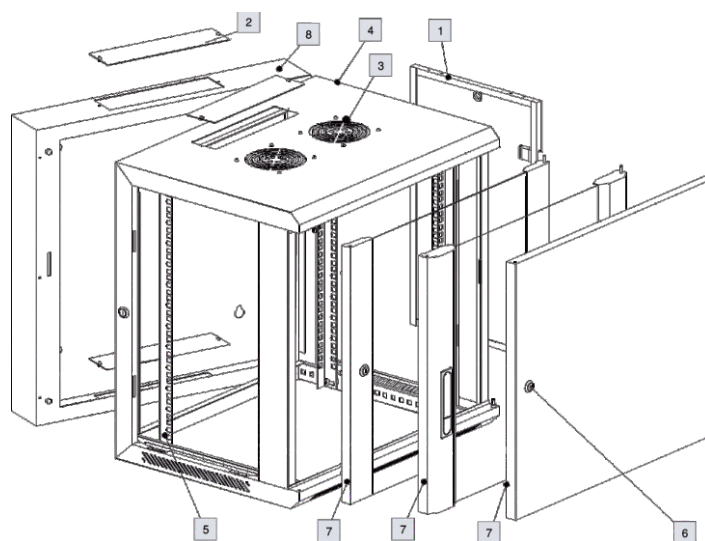
FEATURES

- Easy installation
- Standing or wall mounting installation
- Cable entry through bottom and top panel
- Removable side panel
- 180 degree turning angle for front door
- Welded frame
- 19" installation
- Easy maintenance through back side

Material	SPCC cold rolled steel
Degree of protection	IP20
Surface finish	Degreasing, phosphoric, powder coated
Loading capacity	60 KGS
Door material	SPCC cold rolled steel + tempered glass
Door hinges material	Zinc/aluminum alloy
Door bolt material	Iron
End plates and side panels thickness	1.2mm
Back base thickness	1.0mm
Door frame thickness	1.2mm
Type of profile rail shape	L shape and S shape
Paint coating thickness	60-80mu

WALL MOUNT CABINET DOUBLE SECTION

STRUCTURE



1. Side panel
2. Cable entry cover
3. Fan cover
4. Frame
5. Mounting profile
6. Lock
7. Front Door
8. Back panel

ACCESSORIES

Accessories	Material Of Construction	Surface Coating & Colour	Quantity
Front door	5MM toughened glass door /1.2mm SPCC cold rolled steel	Powder coating	1 piece
Allen wrench	Steel	Black colour	1 piece
Mounting Panel	1.2mm SPCC cold rolled steel	Powder coating	1 piece
Cable entry cover	1.2mm SPCC cold rolled steel	Powder coating	1 piece
Fan cover	1.2mm SPCC cold rolled steel	Powder coating	1 piece
Mounting Profile	1.2mm SPCC cold rolled steel	Powder coating	1 piece
Lock with 2 keys	-	-	2 piece
Frame	1.2mm SPCC cold rolled steel	Powder coating	1 piece
M6 Square nut	steel	Zinc colour	10 piece
M6 head screw	steel	Zinc colour	10 piece
Side Panel	1.2mm SPCC cold rolled steel	Powder coating	2 piece

ORDERING INFORMATION

Part Number	Description	Capacity (U)	Dimension (mm)
600 x 550 Size			
1312-066510X	06U 600 x 550 Double Section Cabinet	06	600 x 550 x 368
1312-096510X	09U 600 x 550 Double Section Cabinet	09	600 x 550 x 501
1312-126510X	12U 600 x 550 Double Section Cabinet	12	600 x 550 x 635
1312-156510X	15U 600 x 550 Double Section Cabinet	15	600 x 550 x 769
1312-186510X	18U 600 x 550 Double Section Cabinet	18	600 x 550 x 901
1312-226510X	22U 600 x 550 Double Section Cabinet	22	600 x 550 x 1082
1312-276510X	27U 600 x 550 Double Section Cabinet	27	600 x 550 x 1304

WALL MOUNT CABINET DOUBLE SECTION

Part Number	Description	Capacity (U)	Dimension (mm)
600 x 600 Size			
1312-066610X	06U 600 x 600 Double Section Cabinet	06	600 x 600 x 368
1312-096610X	09U 600 x 600 Double Section Cabinet	09	600 x 600 x 501
1312-126610X	12U 600 x 600 Double Section Cabinet	12	600 x 600 x 635
1312-156610X	15U 600 x 600 Double Section Cabinet	15	600 x 600 x 769
1312-186610X	18U 600 x 600 Double Section Cabinet	18	600 x 600 x 901
1312-226610X	22U 600 x 600 Double Section Cabinet	22	600 x 600 x 1082
1312-276610X	27U 600 x 600 Double Section Cabinet	27	600 x 600 x 1304
1312-096630X	09U 600 x600 with Double Section front perforated Door Wall Mount Cabinet	09	600 x 600 x 150
1312-126630X	12U 600 x600 with Double Section front perforated Door Wall Mount Cabinet	12	600 x 600 x 630
1312-156630X	15U 600 x 600 with Double Section Front Perforated door wall mount cabinet	15	600 x 600 x 769
600 x 800 Size			
1312-096810X	09U 600 x 800 Double Section Cabinet	09	600 x 800 x 501
1312-126810X	12U 600 x 800 Double Section Cabinet	12	600 x 800 x 635
1312-156810X	15U 600 x 800 Double Section Cabinet	15	600 x 800 x 769
1312-186810X	18U 600 x 800 Double Section Cabinet	18	600 x 800 x 901
800 x 800 Size			
1312-068810X	06U 800 x 800 Double Section Wall Mount Cabinet	06	800 x 800 x 368
1312-128810X	12U 800 x 800 Double Section Wall Mount Cabinet	12	800 x 800 x 635
1312-158810X	15U 800 x 800 Double Section Wall Mount Cabinet	15	800 x 800 x 769

X: R1(RAL 9004), R2(RAL 7035), R3(RAL 9010)

PACKING INFORMATION

Part Number	Packing Qty.	Packing Mode	N.W (kg)	G.W (kg)	Dimension (mm)
1312-066510X	1 x 1	Carton Box	21.0	23.0	630 x 580 x 388
1312-096510X	1 x 1	Carton Box	23.0	25.0	630 x 580 x 531
1312-096630X	1 x 1	Carton Box	22.0	23.0	620 x 620 x 530
1312-126510X	1 x 1	Carton Box	27.0	29.2	630 x 580 x 665
1312-156510X	1 x 1	Carton Box	32.0	34.4	630 x 580 x 789
1312-186510X	1 x 1	Carton Box	39.0	42.5	630 x 580 x 901
1312-226510X	1 x 1	Carton Box	45.0	47.8	630 x 580 x 1130
1312-276510X	1 x 1	Carton Box	51.0	54.0	630 x 580 x 1130
1312-066610X	1 x 1	Carton Box	23.0	25.0	630 x 630 x 388
1312-096610X	1 x 1	Carton Box	25.5	28.0	630 x 630 x 531
1312-126610X	1 x 1	Carton Box	30.0	32.8	630 x 630 x 665
1312-156610X	1 x 1	Carton Box	35.5	38.6	630 x 630 x 789
1312-126630X	1 x 1	Carton Box	24.0	25.0	620 x 620 x 650
1312-186610X	1 x 1	Carton Box	42.5	45.8	630 x 630 x 901
1312-226610X	1 x 1	Carton Box	49.0	52.5	630 x 630 x 1130
1312-276610X	1 x 1	Carton Box	55.9	58.6	630 x 630 x 1130
1312-096810X	1 x 1	Carton Box	29.0	31.0	620 x 820 x 531
1312-126810X	1 x 1	Carton Box	32.0	34.0	620 x 820 x 665
1312-156810X	1 x 1	Carton Box	33.0	35.0	620 x 820 x 789
1312-068810X	1 x 1	Carton Box	45.0	48.0	830 x 830 x 398
1312-128810X	1 x 1	Carton Box	53.0	56.0	830 x 830 x 665
1312-158810X	1 x 1	Carton Box	57.0	60.0	830 x 830 x 789
1312-186810X	1 x 1	Carton Box	42.5	45.8	630 x 820 x 901

X: R1(RAL 9004), R2(RAL 7035), R3(RAL 9010)