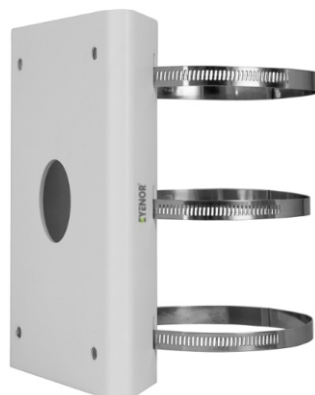


VERTICAL POLE MOUNT BRACKET FOR EYENOR PTZ CAMERA



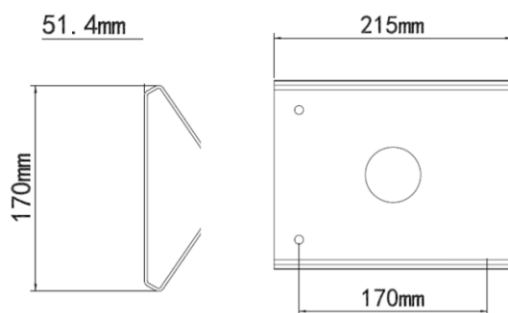
ENB-PV66



SPECIFICATION

MODEL	Model No.	ENB-PV66
	Type	Vertical Pole mount Bracket for Eyenor PTZ camera
BRACKET	Application	Indoor or outdoor, pole installation for PTZ dome camera
	Material	Aluminum alloy
	Dimensions	215x170x52mm
	Weight	1.47kg

Dimension Unit: mm



Ordering Information

Part Number	Description	Standard Quantity
ENB-PV66	Vertical Pole mount Bracket for Eyenor PTZ camera	1

Packing Information

Part Number	Packing Mode	Gross Weight (kg)	Dimension (mm)
ENB-PV66	Carton Box	1.47	215x170x52