

# WALL MOUNT CABINET SINGLE SECTION WITH COMBINATION DIGIT LOCK

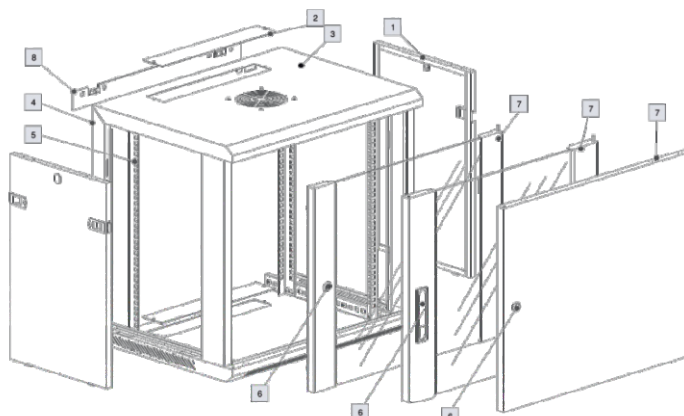


The EasyCab range of wall cabinets designed for home/office environment. The cabinet's structure is welded and painted with electro static powder coated finish. EasyCab available in different sizes and combination digit lock system. Comply with ANSI/EIA RS- 310-D, DIN41497 part 1, IEC 297-2, DIN41497 part 7, GB/T3047, 2-92 standards.

## FEATURES

- Easy installation
- Standing or wall mounting installation
- Cable entry through bottom and top panel
- 180 degree turning angle for front door
- Removable side panel
- Welded frame
- 19" installation
- Combination Locking System

Material	SPCC cold rolled steel
Degree of protection	IP20
Surface finish	Degreasing, phosphoric, powder coated
Loading capacity	65 KGS
Door material	SPCC cold rolled steel
Door hinges material	Zinc/aluminum alloy
Door bolt material	Iron
End plates and side panels thickness	0.8 mm
Back base thickness	1.0mm
Door frame thickness	1.2mm
Type of profile rail shape	L shape and S shape
Paint coating thickness	60-80mu



## STRUCTURE

1. Side panel
2. Cable entry cover
3. Fan cover
4. Frame
5. Mounting profile
6. Lock
7. Front door
8. Mounting panel

# WALL MOUNT CABINET SINGLE SECTION WITH COMBINATION DIGIT LOCK

## ACCESSORIES

Accessories	Material Of Construction	Surface Coating & Colour	Quantity
Front perf. door	1.2mm SPCC cold rolled steel	Powder coating	1 piece
Allen wrench	Steel	Black colour	1 piece
Mounting Panel	1.2mm SPCC cold rolled steel	Powder coating	1 piece
Cable entry cover	1.2mm SPCC cold rolled steel	Powder coating	1 piece
Fan cover	1.2mm SPCC cold rolled steel	Powder coating	1 piece
Mounting Profile	1.2mm SPCC cold rolled steel	Powder coating	1 piece
Combination Lock	-	-	1 piece
Frame	1.2mm SPCC cold rolled steel	Powder coating	1 piece
M6 Square nut	Steel	Zinc colour	10 piece
M6 head screw	Steel	Zinc colour	10 piece
Side Panel	1.2mm SPCC cold rolled steel	Powder coating	2 piece

## ORDERING INFORMATION

Part Number	Description	Capacity (U)	Dimension (mm)
1310-126630X	12U 600 x 600 Single Section wall mount cabinet with Front Perforated Door with Combination Lock	12	600 x 600 x 635
1310-186630X	18U 600 x 600 Single Section wall mount cabinet with front Perforated Door	18	600 x 600 x 901

X: R1(RAL 9004), R2(RAL 7035), R3(RAL 9010)

## PACKING INFORMATION

Part Number	Packing Qty.	Packing Mode	N.W (kg)	G.W (kg)	Dimension (mm)
1310-126630X	1 x 1	Carton Box	25.0	27.0	630 x 630 x 665
1310-186630X	1 x 1	Carton Box	28.0	30.0	630 x 630 x 931