

# Waterproof Electromagnetic lock IP66

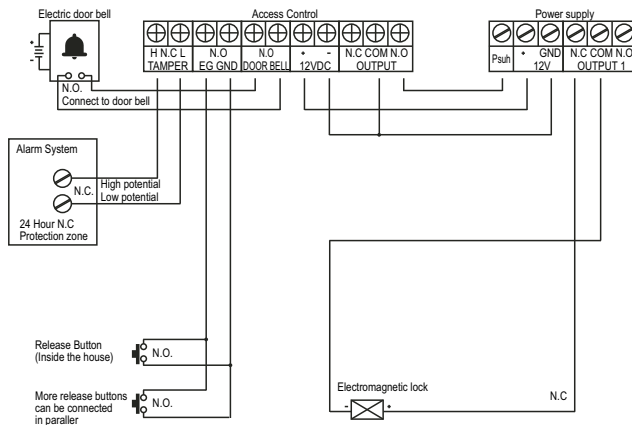
Secnor NAC-6009WL waterproof electromagnetic lock is suitable for wooden door, glass door, metal door and fireproof door. The lock size is of 225Lx45Wx25H mm and has holding force of 280 kg. It is made of anodized aluminium finish for shell and weighs around 2.5kg.



## Technical Parameters

EL-W600 2 Wires	DC12V
Lock Size	225Lx45Wx25H(mm)
Armature Plate	180Lx37Wx11H(mm)
Holding Force	280kg (600Lbs)
Voltage	DC12V or DC24V (adjustable)
Current Draw	12V/500mA 24V/250mA
Suitable for	Wooden door, Glass door, Metal door, Fire proof door
Surface Temp	≤20°C
Operating Temp	-10°C ~ 55°C (14°F-131°F)
Suitable Humidity	0~90%(non-condensing)
Finishes for Shell	Anodized aluminum
Finishes for Magnetic	Zinc
Power supply	DC12V/2A
Finishes for Armature	Zinc
Weight	2.5kg

## Wiring diagram



## Ordering Information

Part Number	Description
NAC-6009WL	Waterproof Electromagnetic lock ( 280 Kg) IP66