

BLACK BODY CALIBRATOR



ENA-BBCTB01

FEATURES

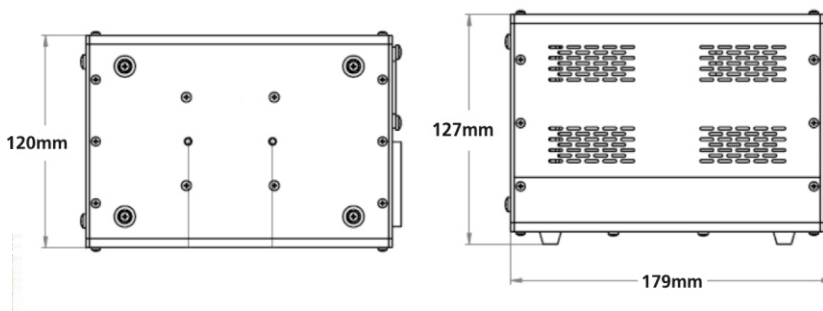
- Supports calibration for thermal bullet camera
- High accuracy and good stability
- Strong ability of anti-interference



SPECIFICATION

MODEL	Model No.	ENA-BBCTB01
SPECIFICATIONS	Type	Black Body Calibrator
	Temperature Range	+5.0°C~50°C adjustable
	Radiation Area Size	70 x70mm
	Temperature Resolution	0.1°C
	Temperature Accuracy	±0.1°C(@40°C)
	Temperature Stability	±(0.1~0.2) °C/30min
	Effective Emissivity	0.97±0.02
	Working Environment	0~40°C
	Power	AC 110V~220V
	Power Consumption	≤35W
	Dimension	120x127x179mm
	Weight	1.13Kg

Dimension Unit: mm



ORDERING INFORMATION

Part Number	Description	Standard Quantity
ENA-BBCTB01	Black body calibrator for ENC-HBU7F-00R-38	1

PACKING INFORMATION

Part Number	Packing Mode	Gross Weight (Kg)	Dimension (mm)
ENA-BBCTB01	Carton Box	1.13	120x127x179