

Single Door 280Kg Magnetic Locks

Secnor NAC-6007ML Single door electromagnetic locks are built in LED and has holding force of 280Kg. It has zinc finishes for magnetic and armature; and the shell is of anodized surface texture processing.

Application

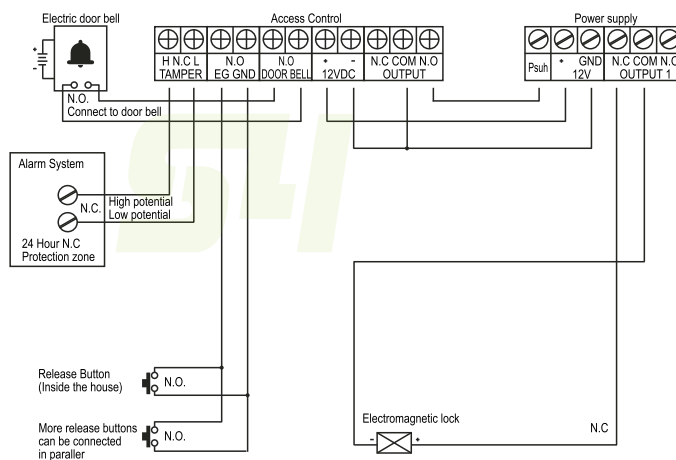
Office areas, schools, communities, office buildings, hotels, shopping malls, shops, public service places, etc.



Technical Parameters

Lock size	250Lx48.5Wx25H(mm)
Plate	180Lx38Wx11H(mm)
Holding Force	280kg (600Lbs)
Voltage	DC12V or DC24V (adjustable)
Current Draw	12V/500mA 24V/250mA
Signal Output	Dry Contact, Max Rating of Contact Current 3A
Surface Temp	≤20°C
Operating Temp	-10°C ~ 55°C
Suitable Humidity	0~90%(non-condensing)
Finishes for Shell	Anodized aluminum surface texture processing
Finishes for Magnetic	Zinc
Finishes for Armature	Zinc
Weight	2kg
Standard Packing	10pcs

Wiring diagram



ORDERING INFORMATION

Part Number	Description
NAC-6007ML	Single Door 280KG Magnetic Lock