

4MP LOW LIGHT IR IP H.265 VANDAL PROOF MOTORIZED DOME CAMERA



ENV-HVD7M-40R-15

FEATURES

1/3", 4.0 megapixel, progressive scan, CMOS

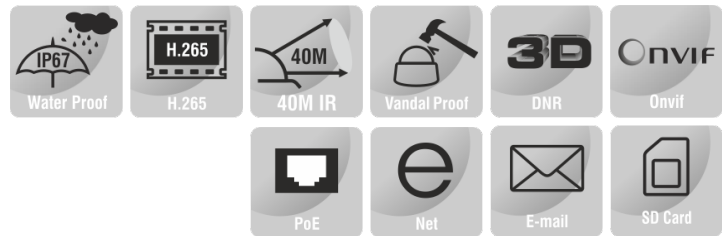
2.8 ~ 12mm Motorized Lens

Smart IR Up to 40m

IP67,IK10,POE

ONVIF Profile (S/G/T)

Built in Mic



SPECIFICATION

MODEL	Model No.	ENV-HVD7M-40R-15
	Type	4MP Low light IR IP H.265 Vandal Proof Motorized Dome camera
CAMERA	Image Sensor	1/3", 4.0 megapixel, progressive scan, CMOS
	Lens	2.8 ~ 12mm, AF automatic focusing and motorized zoom lens
	Angle of View (H)	102.79°~ 30.86°
	Angle of View (V)	54.50°~ 17.49°
	Angle of View (O)	106.94°~35.49°
	Adjustment angle	Pan: 3° ~ 360°, Tilt: 0° ~ 70°, Rotate: 3° ~ 360°
	Shutter	Auto/Manual, 1 ~ 1/100000s
	Minimum Illumination	Colour: 0.003Lux (F1.6, AGC ON) 0Lux with IR
	Day/Night	IR-cut filter with auto switch (ICR)
	S/N	>56dB
	IR Range	Up to 40m (131ft) IR range
	Wavelength	850nm
	IR On/Off Control	Auto/Manual
	Defog	Digital Defog
	WDR	120dB
Warm Light Range	N/A	



4MP LOW LIGHT IR IP H.265 VANDAL PROOF MOTORIZED DOME CAMERA



ENV-HVD7M-40R-15

MODEL	Model No.	ENV-HVD7M-40R-15
	Type	4MP Low light IR IP H.265 Vandal Proof Motorized Dome camera
VIDEO	Video Compression	H.265+, H.265, H.264, MJPEG
	H.264 code profile	Baseline profile, Main profile, High profile
	Frame Rate	Main Stream: 4MP (2688*1520), Max 30fps; 4MP (2560*1440), Max 30fps; 3MP (2304*1296), Max 30fps; 1080P (1920*1080), Max 30fps; Sub Stream: 720P (1280*720), Max 30fps; D1 (720*576), Max 30fps; 640*360, Max 30fps; 2CIF(704*288), Max 30fps; CIF(352*288), Max 30fps;
	Video Bit Rate	128 Kbps~16 Mbps
	9:16 Corridor Mode	Supported
	OSD	Up to 4 OSDs
	Privacy Mask	Up to 4 areas
	ROI	Up to 8 areas
	White Balance	Auto/Outdoor/Fine Tune/Sodium Lamp/Locked/Auto2
	Digital noise reduction	2D/3D DNR
	Smart IR	Supported
	Flip	Normal/Vertical/Horizontal/180°/90°Clockwise/90°Anti-clockwise
	Dewarping	N/A
	HLC	Supported
BLC	Supported	
Motion Detection	Up to 4 areas	
AUDIO	Audio Compression	G.711
	Two-way Audio	N/A
	Audio In	N/A
	Audio Out	N/A
	Suppression	Supported
	Sampling Rate	8KHZ
	Built-in Mic	Supported
SMART	Alarm Trigger	Cross line, intrusion(based on human body detection),motion detection, tampering alarm, audio detection
	General Function	Watermark, IP address filtering, access policy, ARP protection, RTSP authentication, user authentication
INTERFACE	Protocols	IPv4, IGMP, ICMP, ARP, TCP, UDP, DHCP, RTP, RTSP, RTCP, DNS, DDNS, NTP, FTP, UPnP, HTTP, HTTPS, SMTP, SSL, QoS, 802.1x, SNMP
	Compatibility	ONVIF (Profile S, Profile G, Profile T), API
	Network	10/100M Base-TX Ethernet
	Alarm I/O	N/A
	Web Browser	Plug-in required live view: IE9+, Chrome 41 and below, Firefox 52 and below; Plug-in free live view: Chrome 57.0+, Firefox 58.0+, Edge 16+, Safari 11+
	Edge Storage	Micro SD, up to 256 GB
	Network Storage	ANR,NAS(NFS)
	Built-in Speaker	N/A
	Alarm Light	N/A
GENERAL	Power Supply	DC 12V±25%, PoE (IEEE 802.3af)
	Power Consumption	Max 7.5 W
	Dimensions (Ø x H)	Φ128mmx100mm (Ø5.0" x 3.9")
	Weight	0.65kg (1.43lb)
	Material	Metal + Plastic
	Working Environment	-30°C ~ 60°C (-22°F ~ 140°F), Humidity: ≤95% RH (non-condensing)
	Storage Environment	-30°C ~ 60°C (-22°F ~ 140°F), Humidity: ≤95% RH (non-condensing)
	Surge Protection	6KV
	Ingress Protection	IP67
	Vandal Resistant	IK10
Reset Button	Supported	



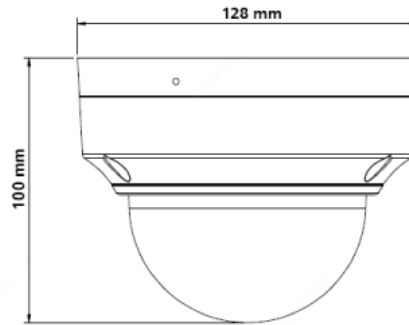
4MP LOW LIGHT IR IP H.265 VANDAL PROOF MOTORIZED DOME CAMERA



ENV-HVD7M-40R-15

MODEL	Model No.	ENV-HVD7M-40R-15
	Type	4MP Low light IR IP H.265 Vandal Proof Motorized Dome camera

Dimension Unit : mm



ORDERING INFORMATION

Part Number	Description	Standard Quantity
ENV-HVD7M-40R-15	4MP IR IP H.265 Vandal Proof Dome camera with 2.8 to 12mm Motorised Lens, POE, SD card slot, WDR, Built in Mic, Smart Analytics* and 40M IR support	1

PACKING INFORMATION

Part Number	Packing Mode	Gross weight(Kg)	Dimension(mm)
ENV-HVD7M-40R-15	Carton Box	0.65kg (1.43lb)	Φ128mmx100mm (Ø5.0" x 3.9")

