

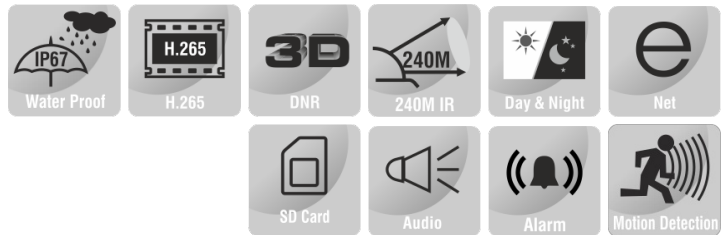
2MP PTZ DOME CAMERA



ENC-HHP5Z-240R-96

FEATURES

Starlight Illumination
44X Optical Zoom
Smart IR up to 240m (Upgradable to 300m)
ONVIF Profile (S, G, T)
Audio and Alarm Support
IP67



SPECIFICATION

MODEL	Model No.	ENC-HHP5Z-240R-96
	Type	2MP PTZ DOME CAMERA
CAMERA	Image Sensor	1/1.8" CMOS Progressive 2.0 MegaPixel
	Day / Night	IR Cut Filter with Auto Switch
	Lens Type	Motorized Zoom Lens
	Focal Length	5~220mm (Optional 6mm~264mm) Lens
	Focus	Auto / Semi Auto / Manual
	Iris Type	DC Auto Iris
	Angle of View (H)	61.8° ~ 2.3°
	Angle of View (V)	36.3° ~ 1.3°
	Aperture Range	F1.6 ~ F5.3
	Optical Zoom	44X
	Digital Zoom	16X
	Zoom Speed	<5s
	Shutter	1s to 1/100,000s, Auto / Manual
	Min. Illumination	Color: 0.0008 lux @ F1.6, B/W: 0 lux with IR
	AGC	Auto / Manual
	Digital Noise Reduction	3D DNR
	S/N Ratio	≥60 dB
	Defog	Smart Defog
WDR	140 dB	
Smart IR	Up to 240m (Unupgradable to 300m)	
Wavelength	850 nm	
White LEDs	2	
White Light Distance	30 m	

2MP PTZ DOME CAMERA



ENC-HHP5Z-240R-96

MODEL	Model No.	ENC-HHP5Z-240R-96
	Type	2MP PTZ DOME CAMERA
VIDEO	Max. Resolution	1920x1080
	Video Compression	H.265+, H.265, H.264, MJPEG
	Frame Rate	Main Stream: (1920x1080, 1280x960, 1280x720, 704x480, 640x480) @ 60fps, (1920x1080, 1280x960, 1280x720, 704x576, 640x480) @ 50fps Sub Stream: (704x480, 704x240, 640x360, 352x240) @ 30fps, (704x576, 704x288, 640x360, 352x288) @ 25fps Third Stream: (704x480, 704x240, 352x240) @ 30fps, (704x576, 704x288, 352x288) @ 25fps
	Stream Settings	i-Frame, PAL/NTSC, Frame Rate, EIS, SVC
	Video Bit Rate	32 kbps ~ 16 Mbps
	Bitrate Type	CBR, VBR
	Image Settings	Brightness, Contrast, Saturation, Hue, Sharpness, Rotation/Mirror, Gain, Exposure, Day/Night
	White Balance	Auto, Semi Auto, Sunshine, Daylight, Warm Light, Filament, Nature Light, Lock WB, Manual
	Corridor Mode	N/A
	HLC	Supported
	BLC	Supported
	OSD	Total 5 regions
	OSD Type	Title, Week, Date, Time, Text with different colors and adaptable sizes (16x16, 24x24, 32x32, 48x48, 64x64, 96x96), Image overlay
	ROI	Total 7 regions
Privacy Mask	Up to 24 regions	
Heatmap	Supported	
AUDIO	Audio Compression	G.711A, G.711U, ADPCM_D, AAC_LC
	Audio Bit Rate	8 kbps ~ 48 kbps
	Audio I/O	1/1
	Audio Voltage	Audio input, level 5V, input impedance 1500 ohms; Audio output, level 3V, output impedance 100 ohms
	Built-in Mic	N/A
SMART	Behavior Detection	Intrusion (Perimeter), Crossline (Tripwire), Double Crossline (Double Tripwire)
	Intelligent Identification	Loitering, Running, Abandoned Object (Object Left), Missing Object(Object Left), Parking
	Statistical Analysis	Early Warning, Face Detection (Capture), People Counting, Crowd Detection, On Duty Detection, Helmet Detection, Human & Vehicle Classification, Abnormal Video & Audio Detection
	Alarm Management	Motion Detection, Tampering (Masking), Input & Output Event, IP & MAC Address Conflict, Disk Alarm (Full & RW Error), FTP Server Exception, Abnormal Voltage, Pre/Post Alarm Recording, Alarm Recording/Snapshot
	Alarm Notification	HTTP, FTP, SD Card & Alarm Out (Event Notification / Recording / Snapshot upload through HTTP, FTP, & SD Card)
Auto Tracking	Supported	
INTERFACE	Protocols	TCP/IP, UDP, IPv4, IPv6, ICMP, HTTP, HTTPS, FTP, NFS, DHCP, DNS, DDNS, RTP, RTSP, RTCP, RTMP, PPPoE, NTP, UPnP, SMTP (SSL/TLS), QoS (DSCP), Unicast, Multicast, Telnet, SNMP, ARP, SSL, SFTP(SSH), P2P
	Security	AES Video Encryption, IP Filter, User authentication (multiple privilege level), 802.1X authentication (EAP-MD5), Digest authentication, User Access Log
	Compatibility	ONVIF Profile (S, G, T), SDK/API/CGI
	Network	1 x RJ45 10M/100M Self Adaptive Ethernet Port
	Alarm Interface	8 Input / 2 Output
	Alarm Voltage	Input (switch type) , Output (3.3V-12V, 10 ohm)]
	Serial Interface	1 x RS485
	BNC	Supported
	Edge Storage	Built-in MicroSD card slot, up to 256 GB
	ANR	Supported
	Built-in Speaker	Supported
	Heater	Supported (Optional)
	Fan	Supported
	Cable Interface	Pig Tail
Remote Connection	≤7	
Client Application	EyeConnect	
Web Language	16	
Wiper	Supported	

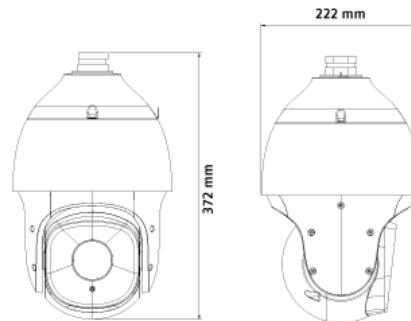
2MP PTZ DOME CAMERA



ENC-HHP5Z-240R-96

MODEL		Model No.	ENC-HHP5Z-240R-96
PAN AND TILT	Type	2MP PTZ DOME CAMERA	
	Pan Range	360°	
	Pan Speed	Pan Manual Speed: 0.1°/s ~ 240°/s, Pan Preset Speed: 300°/s	
	Tilt Range	-16° ~ 90° (Auto flip)	
	Tilt Speed	Tilt Manual Speed: 0.1°/s ~ 180°/s, Tilt Preset Speed: 240°/s	
	Preset Accuracy	±0.3°	
	3D Position	Supported	
	Cruise	16, up to 32 presets per cruise	
	Scan	8	
	Pattern	8, each with 600s memory or 1000 orders	
	Number of Preset	500	
	Power off Recovery	Supported	
GENERAL	Power Supply	24V AC	
	Max. Power Consumption	22 W (IR OFF), 43 W (IR ON)	
	Working Temperature	-40 °C ~ 70 °C	
	Working Humidity	0-95% RH (non-condensing)	
	Ingress Protection	IP67	
	Vandal Resistant	IK10 (Housing)	
	Surge Protection	TVS6000V	
	Reset Button	Supported	
	Dimensions	Φ222×372 mm	
	Net Weight	5.45 kg	

Dimension Unit : mm



ORDERING INFORMATION

Part Number	Description	Standard Quantity
ENC-HHP5Z-240R-96	2MP 60fps Starlight IR IP H.265 PTZ Dome Camera with 44X Optical Zoom, MicroSD Card Slot, Smart Analytics, WDR and 240m(Upgradable to 300m) IR Support	1
ENB-BTPW66	Eyenor Wall Mount Bracket for PTZ Camera (Included in Device Package)	1
ENB-BTPH66	Eyenor Outer Corner Bracket for PTZ Camera	1
ENB-BTPV66	Eyenor Pole Mount Bracket for PTZ Camera	1
ENB-BTPD66	Eyenor Connector for PTZ Camera	1
ENB-BTPJ66	Eyenor Junction Box for PTZ Camera	1

2MP PTZ DOME CAMERA



ENC-HHP5Z-240R-96

PACKING INFORMATION

Part Number	Packing Mode	Gross weight(Kg)	Dimension(mm)
ENC-HHP5Z-240R-96	Carton Box	8.9	500x310x310

★Product specification and availability are subject to change without notice.