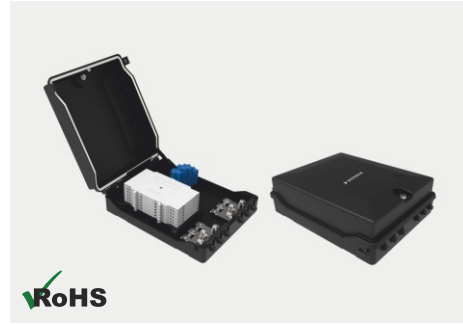


FIBRE OPTIC DISTRIBUTION BOX EXTERNAL

The OptiNor range of wallmount cabinets designed for external environment. It's available in different sizes with splice trays, cable management for splicing incoming and outgoing cable. It can load 24pcs SC simplex adapters /LC duplex adapter ports and 6pcs splice trays for max. 144 fiber connection and distribution.



FEATURES

- Mechanical sealing structure
- Wall mounted/pole mounted
- ABS plastic + UV material
- Max fiber capacity: 144 fibers
- IP65 rated
- 6pcs splice tray, each tray max. 24 fibers
- 24 SC Simplex/ LC Duplex adapter ports
- 6 ports for 6-12mm cable

APPLICATION

- Widely used in FTTH access Network
- Telecommunication Network
- CATV Networks
- Data communication Networks
- Local Area Networks

DESIGN & MATERIALS

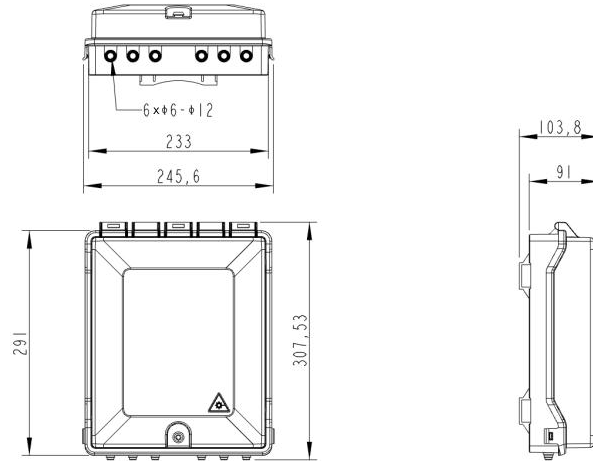
Mounting Type	Wall & Pole
Material	ABS Plastic
Wall Type	Fixed
Adapter Port	24 SC simplex/ LC duplex adapters
Cable Port	6 ports

ACCESSORIES

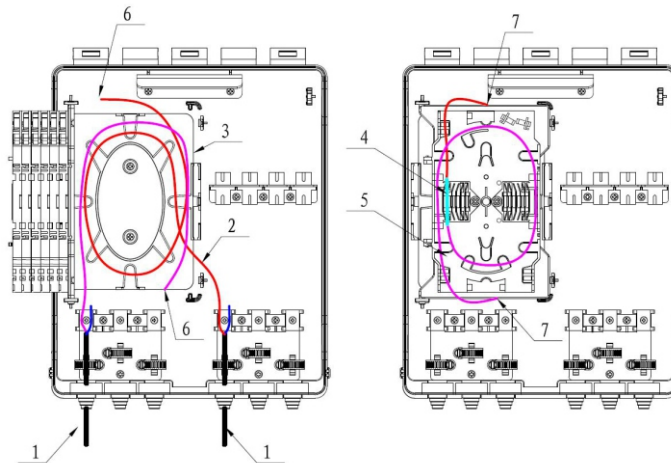
- Cable Tie
- Plastic expansion screw
- Heat shrinkable protection sleeve
- Round head tapping screw
- Countersunk head tapping screw

FIBRE OPTIC DISTRIBUTION BOX EXTERNAL

DIMENSION



INSTRUCTION



- 1 - Input / Output cable
- 2 - Stripped out fiber optic cable
- 3 - Fiber storage tray
- 4 - Heat shrinkable protection sleeve
- 5 - Fiber optic splice tray
- 6 - Fiber to the upper tray
- 7 - Fiber to the lower tray

ORDERING INFORMATION

Part Number	Description	Dimension (mm)
713-1SC024X	24 SC Simplex Port, 144 splice capacity, Fibre Optic Distribution External Box IP65	245.6x307.53x103.8
713-2LC024X	24 LC Duplex Port, 144 splice capacity, Fibre Optic Distribution External Box IP65	245.6x307.53x103.8

X: BG(Beige), WH(White), BK(Black)