

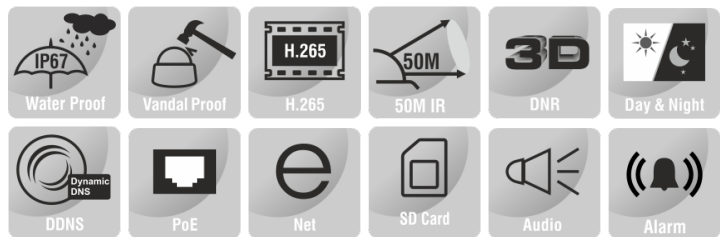
# 8MP MOTORIZED VANDAL DOME CAMERA



**ENC-HVDAM-50R-94**

## FEATURES

Starlight Illumination
2.7-13.5 mm Motorized Lens
Smart IR upto 50 m
ONVIF Profile (S, G, T)
Triple Stream
Built-in Mic
PoE, IP67, IK10



## SPECIFICATION

MODEL	Model No.	ENC-HVDAM-50R-94
	Type	8MP MOTORIZED VANDAL DOME CAMERA
CAMERA	Image Sensor	1/2.8" CMOS Progressive 8.0 MegaPixel
	Day/Night	IR Cut Filter with Auto Switch
	Lens Type	Motorized
	Focal Length	2.7-13.5 mm
	Focus	Auto / Manual
	Iris	DC Auto Iris
	Lens Mount	Φ14
	Angle of View (H)	102.7° ~ 29°
	Angle of View (V)	53.6° ~ 17.2°
	Angle Adjustment	Pan 0~330°, Tilt 0~75°, Rotate 0~350°
	Aperture Range	F1.6 ~ F3.3
	Shutter	1s to 1/100,000s
	Min. illumination	Color: 0.01 lux @ F1.6, B/W: 0 lux with IR
	AGC	Auto / Manual
	Digital Noise Reduction	3D DNR
	S/N Ratio	≥60dB
	Defog	Smart Defog
	WDR	120 dB
Smart IR	50 m	
Wavelength	850 nm	
White LEDs	N/A	

# 8MP MOTORIZED VANDAL DOME CAMERA



## ENC-HVDAM-50R-94

<b>MODEL</b>	<b>Model No.</b>	<b>ENC-HVDAM-50R-94</b>
	<b>Type</b>	8MP MOTORIZED VANDAL DOME CAMERA
<b>VIDEO</b>	Max.Resolution	3840x2160
	Video Compression	H.265+, H.265, H.264, MJPEG
	Frame Rate	Main Stream: (3840x2160, 3072x2048) @ 25/30fps, (2560x1440, 2304x1296, 1920x1080, 1280x720) @ 25/30fps Sub Stream: (704x480, 704x240, 640x480, 352x240) @ 30fps, (704x576, 704x288, 640x480, 352x288) @ 25fps Third Stream: (704x480, 704x240, 640x360, 352x240) @ 30fps, (704x576, 704x288, 640x360, 352x288) @ 25fps
	Stream Settings	i-Frame, PAL/NTSC, Frame Rate (1~30FPS), EIS, SVC
	Video Bit Rate	32 kbps ~ 16Mbps
	Bitrate Type	CBR, VBR
	Image Settings	Brightness, Contrast, Saturation, Hue, Sharpness, Rotation/Mirror, Gain, Exposure, Day/Night
	White Balance	Auto, Semi Auto, Sunshine, Daylight, Warm Light, Filament, Nature Light, Lock WB, Manual
	Corridor Mode	Supported
	HLC	Supported
	BLC	Supported
	OSD	Total 8 Regions
	OSD Type	Title, Week, Date, Time, Text with different colors and adaptable sizes (16x16, 24x24, 32x32, 48x48, 64x64, 96x96), Image overlay
	ROI	Up to 8 regions
Privacy Mask	Up to 4 regions	
HeatMap	Supported	
<b>AUDIO</b>	Audio Compression	G.711A, G.711U, ADPCM_D, AAC_LC
	Audio Bit Rate	8 kbps ~ 48 kbps
	Audio I/O	1/1
	Audio Voltage	Input: Level 5V, Input Impedance 1500 ohms Output: Level 3V, Output Impedance 100 ohms
	Built-in Mic	Supported with noise cancellation
<b>SMART</b>	Behavior Detection	Intrusion (Perimeter), Crossline (Tripwire), Double Crossline (Double Tripwire)
	Intelligent Identification	Loitering, Running, Abandoned Object (Object Left), Missing Object (Object Lost), Parking
	Statistical Analysis	Face Detection (Capture), People Counting, Crowd Detection, On Duty Detection, Helmet Detection, Human & Vehicle Classification, Abnormal Video & Audio Detection
	Alarm Management	Motion Detection, Tampering (Masking), Input & Output Event, IP & MAC Address Conflict, Disk Alarm (Full & R/W Error), FTP Server Exception, Pre/Post Alarm Recording, Alarm Recording/Snapshot
<b>INTERFACE</b>	Protocols	TCP/IP, UDP, IPv4, IPv6, ICMP, HTTP, HTTPS, FTP, NFS, DHCP, DNS, DDNS, RTP, RTSP, RTCP, RTMP, PPPoE, NTP, UPnP, SMTP (SSL/TLS), IGMP, 802.1X, QoS (DSCP), Unicast, Multicast, ARP, SNMP, SSL, Telnet, SFTP (SSH), P2P
	Compatibility	ONVIF Profile (S, G, T), SDK/API/CGI
	Network	1 x RJ45 10M/100M Self Adaptive Ethernet Port
	Wi-Fi	N/A
	Alarm Interface	2 Input / 1 Output
	Alarm Voltage	Input (switch type) , Output (3.3V-12V, 10 ohm)
	Serial Interface	Supported
	USB	N/A
	Edge Storage	MicroSD card slot, up to 512 GB
	ANR	Supported
	Built-in Speaker	N/A
	Built-in Heater	N/A
	Cable Interface	Pig Tail
	Remote Connection	≤7
Client Application	EyeConnect	
Web Language	16	

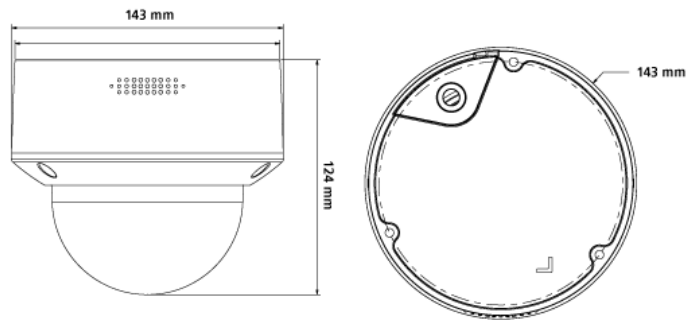
# 8MP MOTORIZED VANDAL DOME CAMERA



## ENC-HVDAM-50R-94

MODEL	Model No.	ENC-HVDAM-50R-94
	Type	8MP MOTORIZED VANDAL DOME CAMERA
GENERAL	Power Supply	12V DC, PoE (IEEE 802.3af)
	Max. Power Consumption	7.5 W (12V DC), 9 W (PoE)
	Working Temperature	-35 °C ~ 65 °C
	Working Humidity	0-95% RH (non-condensing)
	Ingress Protection	IP67
	Vandal Resistant	IK10
	Extra corrosion resistance coating	Supported (Optional)
	Surge Protection	TVS4000V
	Reset Button	Supported
	Dimensions	Φ143×124 mm
Net Weight	0.95 Kg	

Dimension Unit : mm



### ORDERING INFORMATION

Part Number	Description	Standard Quantity
ENC-HVDAM-50R-94	8MP Starlight IR IP Vandal Proof Dome Camera with 2.7-13.5mm Motorized Lens, PoE, WDR, SD card slot, Built-in Mic, Smart Analytics and 50m IR Support	1

### PACKING INFORMATION

Part Number	Packing Mode	Gross weight(Kg)	Dimension(mm)
ENC-HVDAM-50R-94	Carton Box	1.25	245×175×164