

IP THERMAL BULLET CAMERA



ENC-STBGF-00R-33

FEATURES

640x512 Uncooled VOx Micro Bolometer detector

Sensitivity ≤ 40 mK

9/15/25/35/50 mm Fixed Thermal Lens options

Area / Spot / Line Temperature Measurement Rule Support

17 Color Patterns Support

PoE, IP67



SPECIFICATION

MODEL	Model No.	ENC-STBGF-00R-33															
	Type	IP THERMAL BULLET CAMERA															
CAMERA	Detector Type	Uncooled VOx Micro Bolometer															
	Max. Resolution	640x512 and Image can be scaled up to 1280x1024															
	Pixel Size	12 μ m															
	Thermal Sensitivity	≤ 40 mK															
	Spectral Range	8 ~ 14 μ m															
	Image Settings	Brightness, Sharpness, Contrast, 3D DNR, Mirror/Flip, FFC															
	Color Patterns	White & Black Hot, Ironbow, Rainbow etc. up to 17 modes															
LENS	Lens Type	Fixed															
	Focus Control	Auto															
	Digital Zoom	16x															
	Focal Length	9/15/25/35/50 mm															
	Aperture	F1.0															
	Angle of View(H)	9mm	15mm	25mm	35mm	50mm											
		48°(H), 38°(V)	32°(H), 26°(V)	17°(H), 14°(V)	12°(H), 10°(V)	8°(H), 7°(V)											
	Thermal imaging	Object	Human(1.8mx0.5m)				Vehicle(4mx1.5m)				Fire(1mx1m)						
		Lens	9mm	15mm	25mm	35mm	50mm	9mm	15mm	25mm	35mm	50mm	9mm	15mm	25mm	35mm	50mm
		Detection	375m	441m	735m	1029m	1471m	1150m	1353m	2255m	3137m	4510m	375m	441m	735m	1029m	1471m
Recognition		94m	110m	184m	257m	368m	288m	338m	564m	789m	1127m	125m	147m	245m	343m	490m	
Identification		47m	55m	92m	129m	184m	144m	169m	282m	395m	564m	63m	74m	123m	172m	245m	
VIDEO	Video Compression	H.265+, H.265, H.264, MJPEG															
	Frame Rate	Main Stream: 1280x1024, 1280x720, 640x512 @ 25/30fps Sub Stream: D1, CIF @ 25/30fps															
	Bitrate Control	CBR, VBR															
	Bit Rate	100 kbps – 8Mbps															
	DVE Image Enhance	Supported															
	BLC	Supported															
	Defog	Supported															
	OSD	Supported															
	OSD Type	Title, Week, Date, Time, Text with different colors and adaptable sizes (Small / Medium / Big), Image overlay															
	ROI	Up to 8 regions															
	Privacy Mask	Up to 4 regions															
Digital Noise Reduction	2D/3D Auto/Manual																



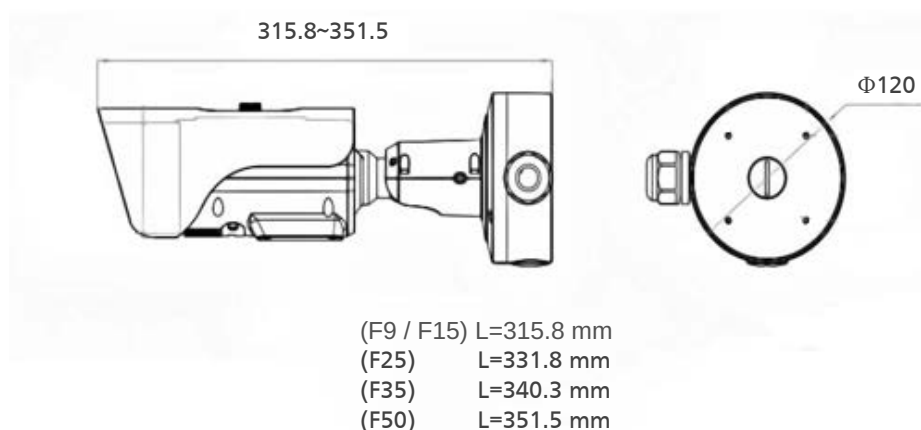
IP THERMAL BULLET CAMERA



ENC-STBGF-00R-33

MODEL	Model No.	ENC-STBGF-00R-33
	Type	IP THERMAL BULLET CAMERA
AUDIO	Audio Compression	G.711A, G.711U, RAW_PCM
	Audio Bitrate	8 kbps ~ 16kbps
	Audio I/O	1/1
TEMPERATURE	Detection Mode	Area, Spot, Line
	Alarm	Over / Difference Temperature Alarm
	Accuracy	±2°C / ±2%
	Response Time	≤30ms
	Measurement Range	-40°C ~ 150°C (Optional -20°C ~ 200°C)
	Display Mode	Temperature target >5°C, Display absolute temperature value Temperature target ≤ 5°C, Display relative temperature value (Temperature difference DEV = highest value - average*)
INTERFACE	Protocols	TCP/IP, UDP, IPv4, IPv6, ICMP, HTTP, HTTPS, FTP, DHCP, DNS, DDNS, RTP/RTCP, RTSP, PPPoE, NTP, UPnP, SMTP (SSL/TLS), IGMP, 802.1x, QoS, Unicast, Multicast, SNMP, ARP
	Security	AES Video Encryption, IP Filter, User Authentication (Multiple Privilege Level), HTTPS Authentication, Digest Authentication, User Access Log
	Compatibility	ONVIF (Profile S, G, T), CGI/SDK
	Network	1x RJ45 10M/100M Self Adaptive Ethernet Port
	Serial Interface	1xRS485
	BNC	Supported
	Edge Storage	SD card slot, up to 256 GB
	Alarm Interface	2 Input / 2 Output
	Heater & Blower	Supported (Optional)
	Max. User access	10
	Client Application	EyeGuard
SMART	Behavior Detection	Intrusion (Perimeter), Crossline (Tripwire), Double Crossline (Double Tripwire)
	Intelligent Identification	Abandoned Object (Object Left), Missing Object(Object Lost),Loitering
	Statistical Analysis	Wrong way Detection , Human / Vehicle Detection
	Alarm Management	Motion Detection, Disk Full Alarm, Temperature Alarm, Input / Output Alarm, Network Alarm
	Alarm Notification	E-mail, HTTP, FTP, SD card & Alarm Out (Event Notification/ Recording / Snapshot upload through E-mail, HTTP, FTP & SD card)
GENERAL	Power Supply	DC12V, PoE
	Max. Power consumption	5 W
	Working Temperature	-40 °C ~ 60 °C
	Working Humidity	95% RH
	Casing	Metal
	Ingress Protection	IP67
	Vandal Resistant	IK10 (Housing)
	Surge Protection	TVS4000V
	Reset Button	Supported
	Dimensions	Φ 120.5 x 315.8 ~ 351.5 mm
Weight	1.8 kg	

Dimension Unit : mm



IP THERMAL BULLET CAMERA



ENC-STBGF-00R-33

ORDERING INFORMATION

Part Number	Description	Standard Quantity
ENC-STBGF-00R-33	IP Temperature Detection Thermal Bullet Camera with 640*512 Thermal Resolution, 15mm (optional 9/25/35/50mm) Fixed Thermal Lens, PoE and SD Card Slot Support	1

PACKING INFORMATION

Part Number	Packing Mode	Gross weight(Kg)	Dimension(mm)
ENC-STBGF-00R-33	Carton Box	-	-