

IP DUAL SENSOR THERMAL PTZ CAMERA



ENC-HHP5Z-32X-37

FEATURES

- 400x300 Uncooled VOx Micro Bolometer Detector
- Sensitivity $\leq 40\text{mK}$
- 75/100 mm Fixed Lens
- Areas / Spot / Line Temperature Measurement Rule Support
- 17 Color Patterns Support
- Electronic Image Stabilization
- IP67



SPECIFICATION

MODEL	Model No.	ENC-HHP5Z-32X-37						
	Type	IP DUAL SENSOR THERMAL PTZ CAMERA						
THERMAL CAMERA	Detector Type	Uncooled VOx Focal Plane Arrays						
	Effective Pixels	400x300 and Image can be scaled up to 704x576						
	Pixel Size	17um						
	Thermal Sensitivity (NETD)	$\leq 40 \text{ mK}$						
	Spectral Range	8~14um						
	Image Settings	Brightness, Sharpness, Contrast, Mirror, 3D DNR, Mirror / Flip, FFC						
	Color Palettes	White & Black Hot, Ironbow, Rainbow etc. up to 17 modes						
THERMAL LENS	Iris	Auto Fixed IRIS						
	Lens	Fixed						
	Focus Control	Motorized Focus						
	Focal Length	75/100 mm						
	F No	1.0						
	Angle of view	75mm	100mm					
		H:5.1°,V:3.8°	H:3.8°,V:2.3°					
	Thermal Imaging	Object	Human (1.8x0.5m)		Vehicle(4mx1.5m)		Fire(1mx1m)	
		Lens	75mm	100mm	75mm	100mm	75mm	100mm
		Detection	2206m	2941m	6765m	9020m	2206m	2941m
Recognition		551m	735m	1691m	2255m	735m	980m	
Identification		275m	367m	846m	1127m	368m	490m	
VISIBLE CAMERA	Image Sensor	1/1.9" Sony CMOS						
	Max Resolution	1920 x 1080						
	Focal Length	12.5~400 mm						
	Optical Zoom	30x						
	Digital Zoom	16x						
	Focus Control	Auto/Manual						
	Max Aperture	F2.5 ~ F16						
	Shutter Speed	1s ~ 1/100,000s, Auto/Manual						
	Min. illumination	Color:0.001 lux @ F1.2, B/W:0.0001 lux						
	AGC	Auto/Manual						
	Angle of View(H)	33° ~ 1.7°						
	S/N Ratio	$\geq 55\text{dB}$						
WDR	120dB							



IP DUAL SENSOR THERMAL PTZ CAMERA



ENC-HHP5Z-32X-37

MODEL	Model No.	ENC-HHP5Z-32X-37
	Type	IP DUAL SENSOR THERMAL PTZ CAMERA
VIDEO	Video Compression	H.265+, H.265, H.264, MJPEG
	Frame Rate	Main Stream: Thermal: D1 @25/30fps; Visible: (1920x1080, 1280x720) @25/30fps Sub Stream: Thermal: CIF @25/30fps; Visible: (D1/VGA/640x360/CIF/QCIF/QVGA) @25/30fps
	Bit Rate Type	CBR/VBR
	Bit Rate	Thermal: 100Kbps ~ 6Mbps Visible: 100Kbps ~ 12Mbps
	Defog	Supported
	DVE Image Enhance	Supported
	BLC	Supported
	OSD	Supported
	OSD Type	Title, Week, Date, Time, Text with different colors and adaptable sizes (Small / Medium / Big), Image overlay
	ROI	Up to 8 regions
AUDIO	Privacy Masking	Up to 4 regions
	Audio Compression	G.711A / G.711U / RAW_PCM
	Audio Bitrate	8 kbps ~ 16kbps
TEMPERATURE	Audio I/O	2/2
	Detection Mode	Spot, Line, Area
	Alarm	Over/Difference Alarm
	Accuracy	±2°C / ±2%
	Response Time	≤ 30ms
	Measurement range	-40°C ~ 150°C
SMART	Display Mode	Temperature target > 5°C, Display absolute temperature value; Temperature target ≤ 5°C, Display relative temperature value (Temperature difference DEV = highest value - average)
	Behaviour Detection	Thermal/Visible: Intrusion (Perimeter), Crossline (Tripwire), Double Crossline (Double Tripwire)
	Intelligent Identification	Thermal: Abandoned Object (Object Left), Missing Object(Object Lost) Visible: Loitering, Multi Loitering, Abandoned Object (Object Left), Missing Object(Object Lost)
	Statistical Analysis	Visible: Abnormal Speed, Wrong Way Detection, Illegal Parking, Signal Bad
	Alarm Management	Motion Detection, Tampering Alarm, Disk Full Alarm, Temperature Alarm, Input / Output Alarm, Network Alarm
INTERFACE	Alarm Notification	E-mail, HTTP, FTP, SD card & Alarm Out (Event Notification/ Recording/ Snapshot upload through E-mail, HTTP, FTP & SD card)
	Protocols	TCP/IP, UDP, IPv4, IPv6, ICMP, HTTP, HTTPS, FTP, DHCP, DNS, DDNS, RTP/RTCP, RTSP, PPPoE, NTP, UPnP, SMTP, SNMP, IGMP V2/V3, 802.1x, QoS, Unicast, Multicast, SNMP, ARP, SSL / TLS 1.2
	Security	AES Video Encryption, IP Filter, User Authentication (Multiple Privilege Level), HTTPS Authentication, Digest Authentication, User Access Log
	Compatibility	ONVIF (Profile S, G, T), CGI/SDK
	Network	2x RJ45 10M/100M Self Adaptive Ethernet Port
	Serial Interface	1xRS485
	BNC	Supported
	Edge Storage	SD card slot, up to 128 GB
	Alarm Interface	3 Input / 3 Output
	Heater	Supported
	Fan	Supported
	Max.User access	32
	Client Application	EyeGuard
	Wiper	Supported
PAN AND TILT	Pan Range	0° ~ 360° (Endless)
	Pan Speed	Pan Manual Speed: 0.01° ~60°/s, Pan Preset Speed: 0.01° ~60° /s;
	Tilt Range	-75° ~ +40°
	Tilt Speed	Tilt Manual Speed: 0.01° ~30° /s, Tilt Preset Speed: 0.01° ~30° /s
	Number of Presets	400
	PTZ Mode	8 Auto Scan, 12 Tour, 6 Track
	Speed Setup	Auto/Manual (0-8)
	Power Off Memory	Supported
Idle Motion	Activate Preset/ Scan/Tour/Pattern if there is no command in the specified period	



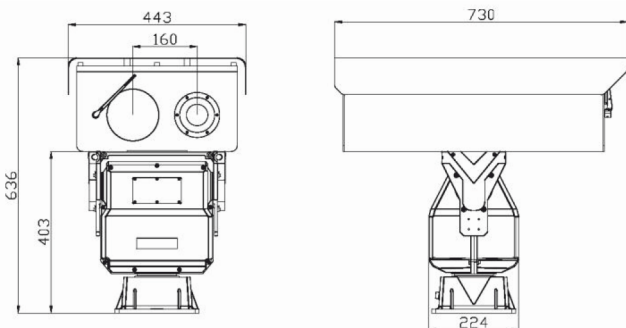
IP DUAL SENSOR THERMAL PTZ CAMERA



ENC-HHP5Z-32X-37

MODEL		ENC-HHP5Z-32X-37
	Type	IP DUAL SENSOR THERMAL PTZ CAMERA
GENERAL	Power Supply	DC 36V
	Max. Power consumption	150 W
	Working Temperature	-40 °C ~ 60 °C
	Working Humidity	≥95% RH
	Casing	Metal
	Ingress Protection	IP67
	Vandal Resistant	IK10 (Housing)
	Surge Protection	TVS6000V
	Reset Button	Supported
	Dimensions	443x730x636 mm
Weight	48Kg	

Dimension Unit : mm



ORDERING INFORMATION

Part Number	Description	Standard Quantity
ENC-HHP5Z-32X-37	2MP IP Dual Sensor Temperature Detection Thermal PTZ Camera with Visible Lens of 32X Optical Zoom and Thermal Imaging Camera with 400x300 Thermal Resolution and SD Card Slot Support	1

PACKING INFORMATION

Part Number	Packing Mode	Gross weight(Kg)	Dimension(mm)
ENC-HHP5Z-32X-37	Carton Box	-	-

