

IP DUAL SENSOR THERMAL PTZ CAMERA



ENC-HPT5Z-30X-37

FEATURES

- 400x300 Uncooled VOx Micro Bolometer Detector
- Sensitivity $\leq 40\text{mK}$
- 8/15/25/35/50 mm Motorized Lens
- Areas / Spot / Line Temperature Measurement Rule Support
- 17 Color Patterns Support
- Electronic Image Stabilization
- IP67



SPECIFICATION

MODEL	Model No.	ENC-HPT5Z-30X-37																
	Type	IP DUAL SENSOR THERMAL PTZ CAMERA																
THERMAL CAMERA	Detector Type	Uncooled VOx Focal Plane Arrays																
	Effective Pixels	400x300 and Image can be scaled up to 704x576																
	Pixel Size	17um																
	Thermal Sensitivity (NETD)	$\leq 40\text{ mK}$																
	Spectral Range	8~14um																
	Image Settings	Brightness, Sharpness, Contrast, 2D/3D DNR, Mirror / Flip, FFC																
	Color Palettes	White & Black Hot, Ironbow, Rainbow etc. up to 17 modes																
THERMAL LENS	Iris	Auto Fixed IRIS																
	Lens	Fixed																
	Focus Control	Motorized Focus																
	Focal Length	8/15/25/35/50 mm																
	F No	1.0																
	Angle of View(H)	8mm	15mm				25mm				35mm				50mm			
		46.0°(H), 35.3°(V)	25.5°(H), 19.2°(V)				15.4°(H), 11.6°(V)				11.9°(H), 9.0°(V)				7.7°(H), 5.8°(V)			
	Thermal imaging	Object	Human(1.8mx0.5m)				Vehicle(4mx1.5m)				Fire(1mx1m)							
		Lens (mm)	8	15	25	35	50	8	15	25	35	50	8	15	25	35	50	
		Detection(m)	235	441	735	1029	1471	722	1353	2255	3137	4510	235	441	735	1029	1471	
Recognition(m)		59	110	184	257	368	180	338	564	789	1127	78	147	245	343	490		
Identification(m)		29	55	92	129	184	90	169	282	395	564	39	74	123	172	245		
VISIBLE CAMERA	Image Sensor	1/2.8" Sony CMOS																
	Max Resolution	2592 x 1520																
	Focal Length	5~150 mm (Optional 4.5~135 mm)																
	Optical Zoom	30x																
	Digital Zoom	16x																
	Focus Control	Auto/Manual																
	Max Aperture	F1.6 ~ F4.3																
	Shutter Speed	1s ~ 1/100,000s, Auto/Manual																
	Min. illumination	Color: 0.01 Lux @ F1.2, B/W: 0.001 Lux with IR																
	AGC	Auto / Manual																
	Angle of View (H)	55.6° ~ 2.0° (Optional 60.7° ~ 2.2°)																
	Angle of View (V)	32.7° ~ 1.1° (Optional 35.7° ~ 1.2°)																
	Angle of View (D)	64.5° ~ 2.2° (Optional 70.4° ~ 2.5°)																
	S/N Ratio	$\geq 55\text{dB}$																
WDR	120dB																	

IP DUAL SENSOR THERMAL PTZ CAMERA



ENC-HPT5Z-30X-37

MODEL	Model No.	ENC-HPT5Z-30X-37
	Type	IP DUAL SENSOR THERMAL PTZ CAMERA
VIDEO	Video Compression	H.265+, H.265, H.264, MJPEG
	Frame Rate	Main Stream: Thermal: D1 @25/30fps; Visible: (2592x1520, 1920x1080, 1280x720) @25/30fps Sub Stream: Thermal: CIF @25/30fps; Visible: (D1, VGA, CIF) @25/30fps
	Bit Rate Control	CBR , VBR
	Bit Rate	Thermal: 100Kbps ~ 12Mbps Visible: 10Kbps ~ 6Mbps
	Defog	Supported
	DVE Image Enhance	Supported
	BLC	Supported
	OSD	Supported
	OSD Type	Title, Week, Date, Time, Text with different colors and adaptable sizes (Small / Medium / Big), Image overlay
	ROI	Up to 8 regions
Privacy Masking	Up to 4 regions	
AUDIO	Audio Compression	G.711A, G.711U, RAW_PCM
	Audio Bitrate	8 kbps ~ 16kbps
	Audio I/O	2/2
TEMPERATURE	Detection Mode	Spot, Line, Area
	Alarm	Over / Difference Alarm
	Accuracy	±2°C / ±2%
	Response Time	≤ 30 ms
	Measurement range	-20°C ~ 150°C
Display Mode	Temperature target > 5°C, Display absolute temperature value; Temperature target ≤ 5°C, Display relative temperature value (Temperature difference DEV = highest value - average)	
INTERFACE	Protocols	TCP/IP, UDP, IPv4, IPv6, HTTP, HTTPS, FTP, DHCP, DNS, DDNS, RTP/RTCP, RTSP, PPPoE, NTP, UPnP, SMTP (SSL/TLS), IGMP, 802.1x, QoS, Unicast, SNMP, ARP, ICMP
	Security	AES Video Encryption, IP Filter, User Authentication (Multiple Privilege Level), HTTPS Authentication, Digest Authentication, User Access Log
	Compatibility	ONVIF (Profile S, G, T), CGI / SDK
	Network	2x RJ45 10M/100M Self Adaptive Ethernet Port
	Serial Interface	1xRS485
	CVBS Output	Supported
	Edge Storage	SD card slot, up to 256 GB
	Alarm Interface	9 Input / 4 Output
	Heater	Supported (Optional)
	Fan	Supported
	Max. User	32
	Client Application	EyeGuard
	Wiper	Supported
SMART	Behaviour Detection	Thermal/Visible: Intrusion (Perimeter), Crossline (Tripwire), Double Crossline (Double Tripwire)
	Intelligent Identification	Thermal: Region Entry / Exit Visible: Loitering, Multi Loitering
	Statistical Analysis	Visible: Wrong Way Detection, People Counting
	Alarm Management	Motion Detection, Tampering Alarm, Disk Full Alarm, Temperature Alarm, Input / Output Alarm, Network Alarm
	Alarm Notification	E-mail, HTTP, FTP, SD card & Alarm Out (Event Notification/ Recording/ Snapshot upload through E-mail, HTTP, FTP & SD card)
PAN AND TILT	Pan Range	0° ~ 360° (Endless)
	Pan Speed	Pan Manual Speed: 0.01° -60°/s, Pan Preset Speed: 60° /s;
	Tilt Range	-90° ~ +90°
	Tilt Speed	Tilt Manual Speed: 0.01° ~30° /s, Tilt Preset Speed: 30° /s
	Number of Presets	400
	PTZ Mode	8 Scan, 12 Patrols, 6 Track (32 Presets per Scan)
	Speed Setup	Auto/Manual (0-8)
	Power Off Memory	Supported
Idle Motion	Activate Preset/ Scan/Tour/Pattern if there is no command in the specified period	

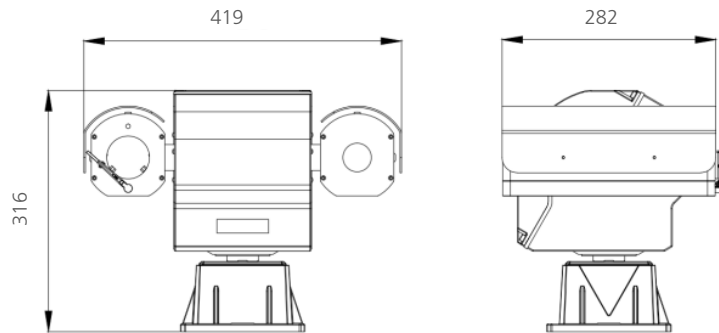
IP DUAL SENSOR THERMAL PTZ CAMERA



ENC-HPT5Z-30X-37

MODEL	Model No.	ENC-HPT5Z-30X-37
	Type	IP DUAL SENSOR THERMAL PTZ CAMERA
GENERAL	Power Supply	DC 36V
	Max. Power consumption	80 W
	Working Temperature	-40 °C ~ 60 °C
	Working Humidity	95% RH
	Casing	Metal
	Ingress Protection	IP67
	Vandal Resistant	IK10 (Housing)
	Surge Protection	TVS6000V
	Reset Button	Supported
	Dimensions	282x419x316 mm
	Weight	16.5Kg

Dimension Unit : mm



ORDERING INFORMATION

Part Number	Description	Standard Quantity
ENC-HPT5Z-30X-37	2MP IP Dual Sensor Temperature Detection Thermal PTZ Camera with Visible Lens of 30X Optical Zoom and Thermal Imaging Camera with 400*300 Thermal Resolution and SD Card Slot Support	1

PACKING INFORMATION

Part Number	Packing Mode	Gross weight(Kg)	Dimension(mm)
ENC-HPT5Z-30X-37	Carton Box	-	-