

IP Wall Mount Video Intercom Terminal



DESCRIPTION

NVS-IP100024IC is a SIP intercom terminal with built-in camera developed on the technical basis of VOIP phone and the needs of users. The voice transmission is under the standard SIP protocol and it can be registered to VOIP phone system Independently, which can be perfectly compatible with all the mainstream IP PBX/ soft exchange /IMS platforms based on SIP, which brings convenience for system configuration. This device comply with standard ONVIF interface protocol, available for directly connecting to the mainstream.

FEATURES

- Robust, waterproof metal shell with one-touch call for intercom and hands-free communication
- HD camera with infrared lighting for video intercom
- Built-in speakers and digital amplifier for external connections
- Supports SIP and ONVIF protocols for VOIP systems and NVR integration
- Alarm inputs and DC12V output for emergency response
- RJ45 interface for versatile network compatibility

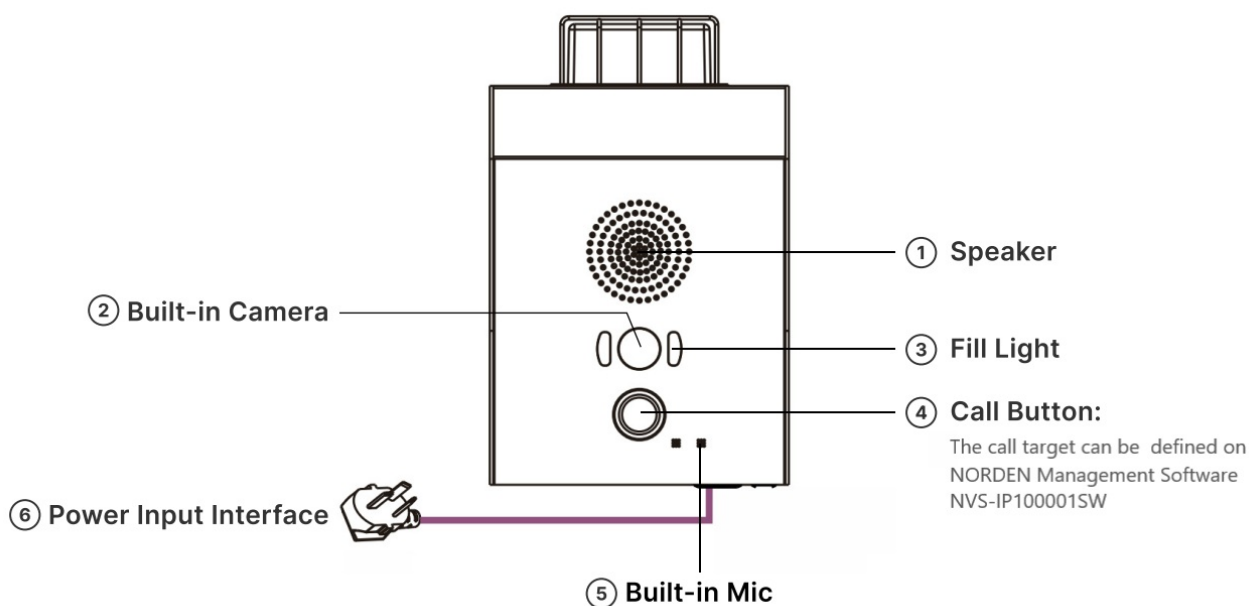
Specifications

Model	NVS-IP100024IC
Power Supply	DC 24V/2.7A
Power Consumption	≤60W
Audio Codec	WAV, PCM, ADPCM
Audio Sampling & Bit Rate	8kHz~44.1kHz, 16bit, 8kbps~320kbps
Built-in Speaker	10W ,8Ω
Signal to Noise Ratio	>80dB
Built-in Mic Sensitivity	-45±3dB
Built-in Camera	1/3" CMOS
Built-in Camera Aperture and Focal Length	F2.0, 2.3mm

IP Wall Mount Video Intercom Terminal

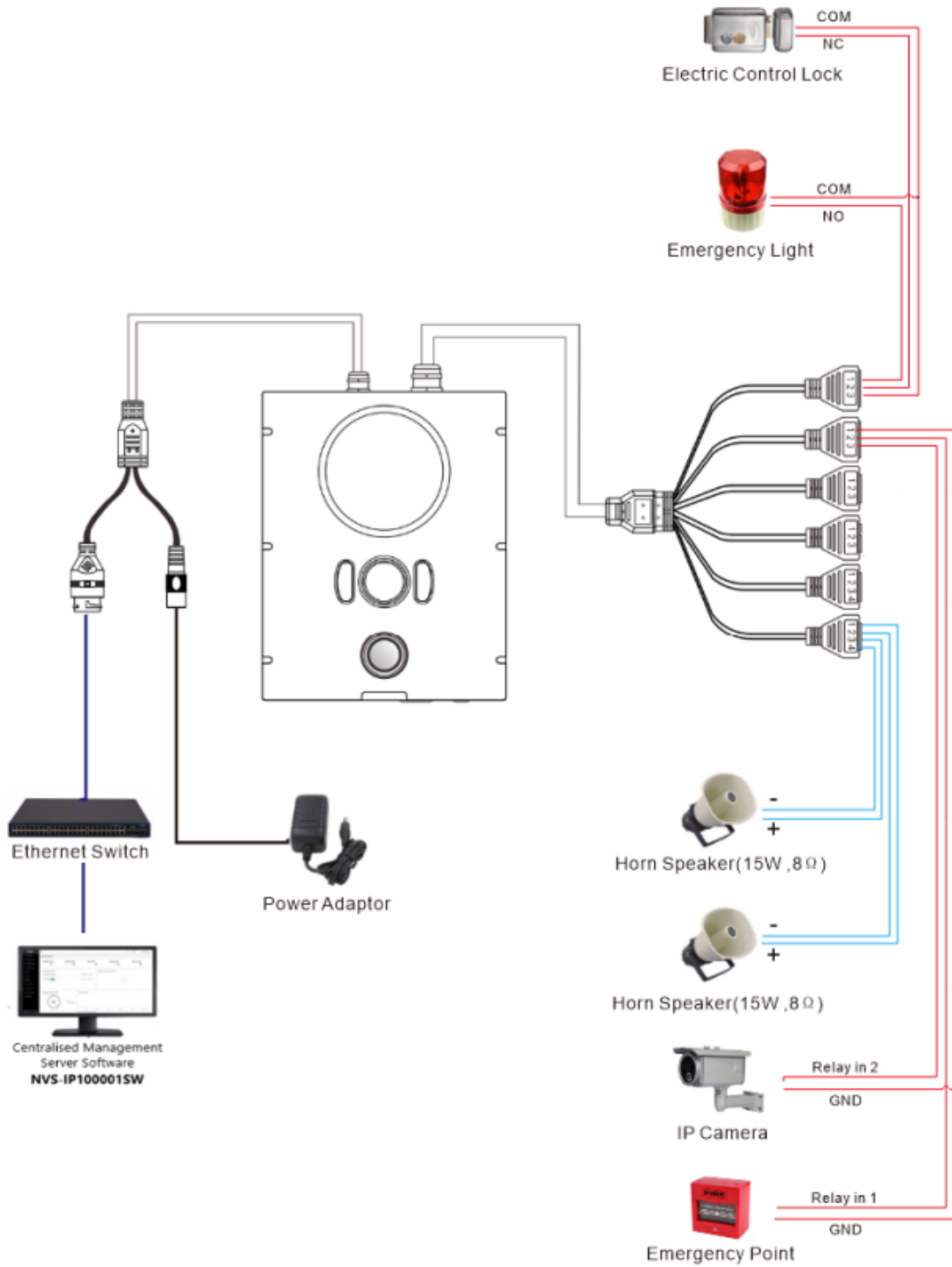
Video Coding	VGA/720P/1080P
Video Transmission Bit Rate	512Kbps-4Mbps
Network Interface	10BASE-T/100BASE-TX RJ45
Network Protocol	TCP/IP, UDP, ARP, ICMP, IGMP, SIP, HTTP
Configuration Method	Web Interface or DevConfig Tool
Mounting Method	Surface Mounted
Installation Environment	Outdoor Locations
Operating Temperature	-20°C~+70°C
Operating Humidity	≤90% RH (Non-Condensing)
Shell Material	Steel
Colour	Orange
Protection Level	IP66
Product Dimensions	261x120x417 mm

FRONT PANEL



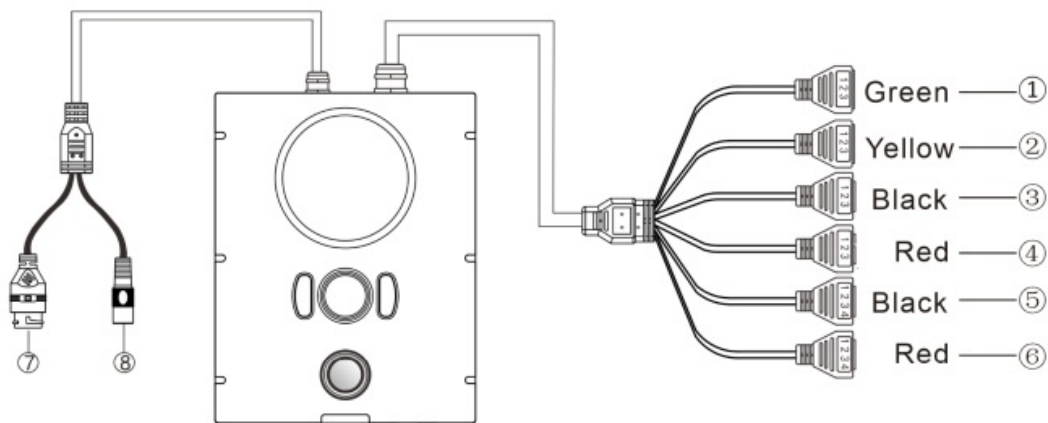
IP Wall Mount Video Intercom Terminal

CONNECTION DIAGRAM



IP Wall Mount Video Intercom Terminal

Input Connection



① Relay Output:

1-NO , 2-NC , 3-COM

② Relay Input:

1-GND , 2-Relay In 1 , 3-Relay In 2

③ Communication Port:

1-GND , 2-T/R , 3-GND

④ Line Input & Output :

1-Line In , 2-GND , 3-Line Out

⑤ Controlled Power Output:

1-Light 4 , 2-Light 3 , 3-Light 2 , 4-Light 1

⑥ Power Amplifier Output:

1-Right Channel + , 2-Right Channel - , 3-Left Channel + ,
4-Left Channel -

Note:

- 1.External power amplifier support 1*40W/ 4 ω or 2*20W/ 8 ω horn;
- 2.Loudspeaker polarity and channel output polarity connection must be corresponding;

⑦ Ethernet Port:

To Ethernet Switch

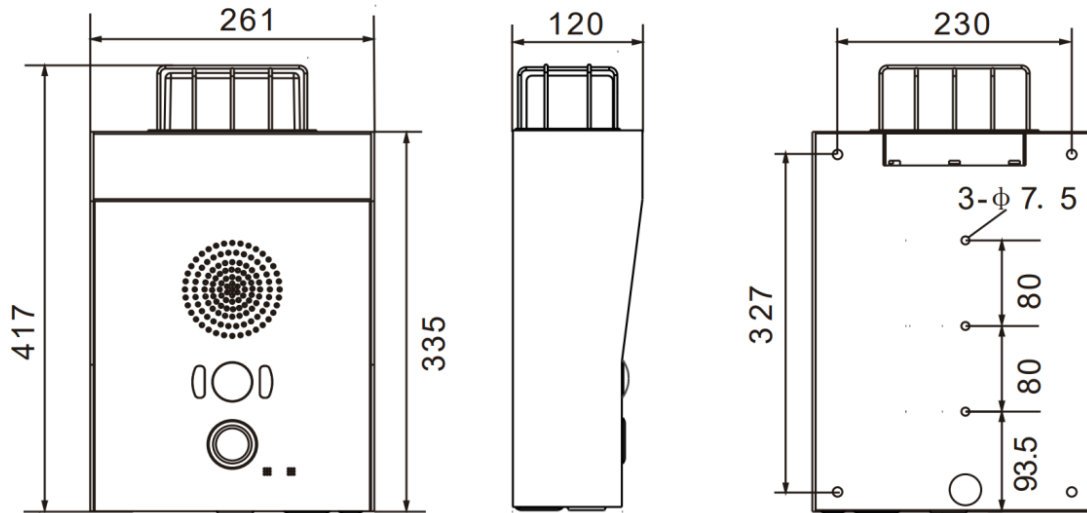
⑧ Power Input:

DC24V , 2.7A

IP Wall Mount Video Intercom Terminal

DIMENSION

Unit: mm



ORDERING INFORMATION

Part Number	Description	Standard Quantity
NVS-IP100024IC	IP Wall Mount Video Intercom Terminal	01

ACCESSORIES INFORMATION

Description	Standard Quantity
Waterproof Connector	1
Plastic expansion sleeve (M8*40)	3
Terminal (3.81-4P)	2
Terminal (3.81-3P)	4
Hexagon socket screw (M8*18)	4
Power Adaptor (DC24V/2.7A)	1
Half Round Head Phillips Screw (M6*40)	3
Quick Installation Guide	1
Certificate and Warranty Card	1