

POLE MOUNT BRACKET FOR PTZ CAMERA



ENB-BTPV66

FEATURES

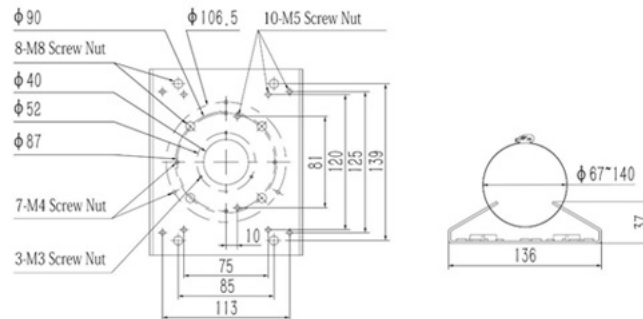
Steel
Max. Load Support up to 19 Kg
Pole Mount Bracket for Eyenor Housing
IP66



SPECIFICATION

MODEL	Model No.	ENB-BTPV66
	Type	POLE MOUNT BRACKET FOR PTZ CAMERA
GENERAL	Construction	Steel
	Color	White
	Max. Weight Supported	19 Kg
	Dimensions(LxWxH)	165x136x37 mm
	Weight	0.65 Kg

Dimension Unit : mm



ORDERING INFORMATION

Part Number	Description	Standard Quantity
ENB-BTPV66	Eyenor Pole Mount Bracket for PTZ Camera	1

PACKING INFORMATION

Part Number	Packing Mode	Gross weight(Kg)	Dimension(mm)
ENB-BTPV66	Carton Box	0.7	170x145x60