

HOUSING FOR BOX CAMERA



ENH-BXA6600R

FEATURES

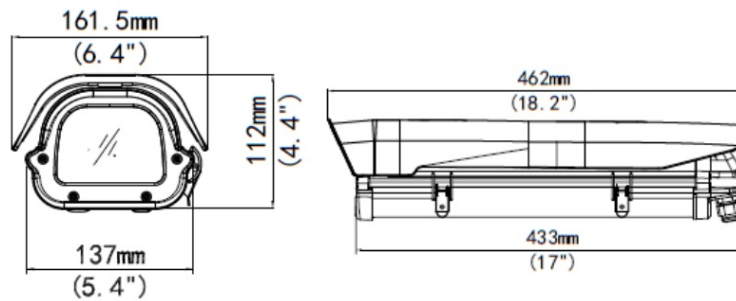
- UV-Resistant Material to Increase Durability
- Anti-Corrosion Support
- Simple and Adaptable Installation
- Sunshade Support
- IP66



SPECIFICATION

| MODEL | Model No. | ENH-BXA6600R |
|---------|------------------------|---|
| | Type | HOUSING FOR BOX CAMERA |
| GENERAL | Material | Housing: Die Cast Aluminium Sunshield: Plastic Font & Back Cover: Plastic |
| | Ingress Protection | IP66 |
| | Vandal Resistant | IK10 |
| | Color | White |
| | Dimensions (L x W x H) | Inner: 365x105x78.5 mm Outer: 462x161x112 mm |
| | Working Temperature | ≤20 °C |
| | Working Humidity | ≤90% RH |
| | Weight | 1.42 Kg |

Dimension Unit : mm



ORDERING INFORMATION

| Part Number | Description | Standard Quantity |
|--------------|--|-------------------|
| ENH-BXA6600R | Housing for Eyenor Box Camera with IP66 rating | 1 |

PACKING INFORMATION

| Part Number | Packing Mode | Gross weight(Kg) | Dimension(mm) |
|--------------|--------------|------------------|---------------|
| ENH-BXA6600R | Carton Box | - | - |