

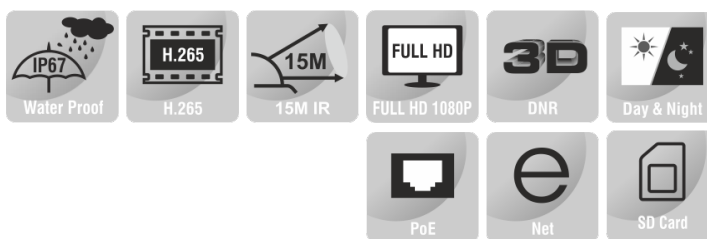
2MP FIXED COMPACT DOME CAMERA



ENV-HCD5F-15R-65

FEATURES

- 2.8 mm Fixed Lens
- Smart IR up to 15 m
- ONVIF Profile (S, G, T)
- Quad Stream
- Built-in Mic
- PoE, IP67



SPECIFICATION

MODEL		ENV-HCD5F-15R-65
CAMERA	Model No.	ENV-HCD5F-15R-65
	Type	2MP FIXED COMPACT DOME CAMERA
	Image Sensor	1/2.8" CMOS Progressive 2.0 MegaPixel
	Day/Night	IR Cut Filter with Auto Switch
	Lens Type	Fixed
	Focal Length	2.8 mm
	Digital Zoom	16x
	Focus	Fixed
	Iris	Fixed
	Angle of View (H)	95.5°
	Angle of View (V)	51.9°
	Angle of View (D)	108.6°
	Angle Adjustment	Pan ± 45°, Tilt 0~90°, Rotate 0~360°
	Aperture	F1.2
	Shutter	1s to 1/100,000s, Auto / Manual
	Min. Illumination	Color: 0.001 lux @ F1.2, B/W: 0 lux with IR
	AGC	Auto / Manual
	Digital Noise Reduction	2D & 3D DNR, Auto / Manual
S/N Ratio	≥52 dB	
Defog	Smart Defog	
WDR	120 dB	
Smart IR	Up to 15 m	
Wavelength	850 nm	

2MP FIXED COMPACT DOME CAMERA



ENV-HCD5F-15R-65

MODEL		ENV-HCD5F-15R-65
	Model No.	ENV-HCD5F-15R-65
	Type	2MP FIXED COMPACT DOME CAMERA
VIDEO	Max. Resolution	1920x1080
	Video Compression	H.265+, H.265, H.264, MJPEG
	Frame Rate	Main Stream: (1920x1080, 1280x720, 704x576) @ 25/30fps Sub Stream: (1920x1080, 1280x720, 704x576) @ 15fps Third Stream: (640x480, 352x288, 320x240, 176x144) @ 15fps Fourth Stream: (640x480, 352x288, 320x240, 176x144) @ 15fps (Optional) (Customizable to Triple Stream Main Stream: (1920x1080, 1280x720, 704x576) @ 25/30fps Sub Stream: (1280x720, 704x576) @ 25/30fps Third Stream: (640x480, 352x288, 320x240, 176x144) @ 15fps)
	Stream Settings	i-Frame, PAL/NTSC, Frame Rate, EIS
	Video Bit Rate	100 kbps ~ 12 Mbps
	Bitrate Type	CBR, VBR
	Image Settings	Brightness, Contrast, Saturation, Sharpness, Day/Night (Color, Mono, Auto), Flip/Mirror/Rotation, Multiple Scene & Profile
	White Balance	Auto, Day/Night, Tungsten, Manual
	Corridor Mode	Supported
	HLC	Supported
	BLC	Supported
	OSD	Total 8 regions
	OSD Type	Title, Week, Date, Time, Text with different colors and adaptable sizes, Image overlay
	ROI	Up to 8 regions
	Privacy Mask	Up to 4 regions
SMART	Behavior Detection	Intrusion (Perimeter), Crossline (Tripwire), Double Crossline (Double Tripwire)
	Intelligent Identification	Loitering, Multi Loitering, Abandoned Object (Object Left), Missing Object (Object Lost)
	Statistical Analysis	Face Detection, People Counting, Human & Vehicle Detection, Abnormal Video & Audio Detection, Wrong Way Detection, Illegal Parking, Tampering / Masking / Scene Change, Abnormal Speed
	Alarm Management	Motion Detection, Tampering, Input & Output Event, Network Alarm, Disk Alarm, Day Night Switch Alarm, Pre/Post Alarm Recording, Alarm Recording/Snapshot
	Alarm Notifications	E-mail, HTTP, FTP, SD Card & Alarm Out (Event Notification/ Recording/ Snapshot upload through E-mail, HTTP, FTP & SD Card)
INTERFACE	Protocols	TCP/IP, UDP, IPv4, IPv6, ICMP, HTTP, HTTPS, FTP, DHCP, DNS, DDNS, RTP, RTSP, RTCP, PPPoE, NTP, UPnP, SMTP, IGMP, 802.1X, Unicast, Multicast, QoS, ARP, SNMP, Telnet, SSL/TLS1.2
	Security	TLS Video Encryption, IP Filter, User Authentication (Multiple Privilege Level), 802.1X Authentication (EAP-MD5), HTTPS Authentication, RTSP Authentication, Digest Authentication, User Access Log
	Compatibility	ONVIF Profile (S, G, T), SDK/CGI
	Network	1 x RJ45 10M/100M Self Adaptive Ethernet Port
	Built-in Mic	Supported
	Edge Storage	SD card slot, up to 256 GB
	ANR	Supported
	Mas User	32
Client Application	EyeGuard	
GENERAL	Power Supply	12V DC, PoE (IEEE 802.3af)
	Max. Power Consumption	6 W
	Working Temperature	-40 °C ~ 60°C
	Working Humidity	≤95% RH (non-condensing)
	Ingress Protection	IP67
	Surge Protection	TVS4000V
	Reset Button	Supported
Dimensions	99.5 x 99.5 x 63 mm	
Net Weight	0.36 Kg	

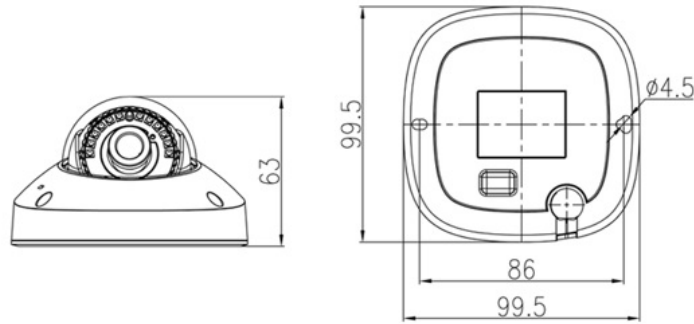
2MP FIXED COMPACT DOME CAMERA



ENV-HCD5F-15R-65

MODEL	Model No.	ENV-HCD5F-15R-65
	Type	2MP FIXED COMPACT DOME CAMERA

Dimension Unit : mm



ORDERING INFORMATION

Part Number	Description	Standard Quantity
ENV-HCD5F-15R-65	2MP H.265 IR IP Compact Dome Camera with 2.8mm Lens, WDR, PoE, SD Card Slot , Built-in Mic, Smart Analytics and 15m IR Support	1
ENB-BCDJ65	Junction Box for Eyenor Dome Camera	1
ENB-BCDQ65	Pendant Cap for Eyenor Dome Camera	1
ENB-BCDP66	Pendant Mount for Eyenor Dome Camera	1
ENB-BCDW66	Wall Mount for Eyenor Dome Camera	1
ENB-BCDV66	Pole Mount for Eyenor Dome Camera	1
ENB-BCDH66	Corner Mount for Eyenor Dome Camera	1

PACKING INFORMATION

Part Number	Packing Mode	Gross weight(Kg)	Dimension(mm)
ENV-HCD5F-15R-65	Carton Box	-	-