

IP Based Paging Microphone with Touch Screen



DESCRIPTION

The NVS-IP100003PM is a IP Based Paging Microphone with Touch Screen. It is a network high-fidelity audio intercom paging microphone based on TCP/IP, SIP, UDP and other transmission protocols. It can carry out control, paging, and intercom functions. It possesses the high stability of conventional paging stations, steady and dependable operation, and low failure rate characteristics. Intelligent control lies at the basis of the architecture for signal digital transmission.

FEATURES

- ⦿ 7" high-definition display with 800x1280 resolution
- ⦿ Capacitive touch screen
- ⦿ Built-in digital audio processor, full duplex and hands-free audio intercom
- ⦿ Support of initiating and receiving call without server relies
- ⦿ Supports file, pre-recorded, and TTS broadcasting to specific zones or terminals
- ⦿ Support standard SIP protocol for easy integration with mainstream SIP PBX(Yeastar, Asterisk, Cisco etc)
- ⦿ Support online viewing of the working status of other terminals
- ⦿ Support self-defined ringtone of incoming call and broadcast
- ⦿ Support incoming/outgoing call record and query function

Specifications

Model	NVS-IP100003PM
Power Supply	DC 12V, 1.5A
Standby Power Consumption	≤10W
Audio Codec	MP3, PCM, ADPCM
Audio Sampling & Bit Rate	8kHz-44.1kHz, 16 bit, 8kbps-320kbps
Built-in Speaker	1.5W, 4Ω
Signal to Noise Ratio	>82dB

IP Based Paging Microphone with Touch Screen

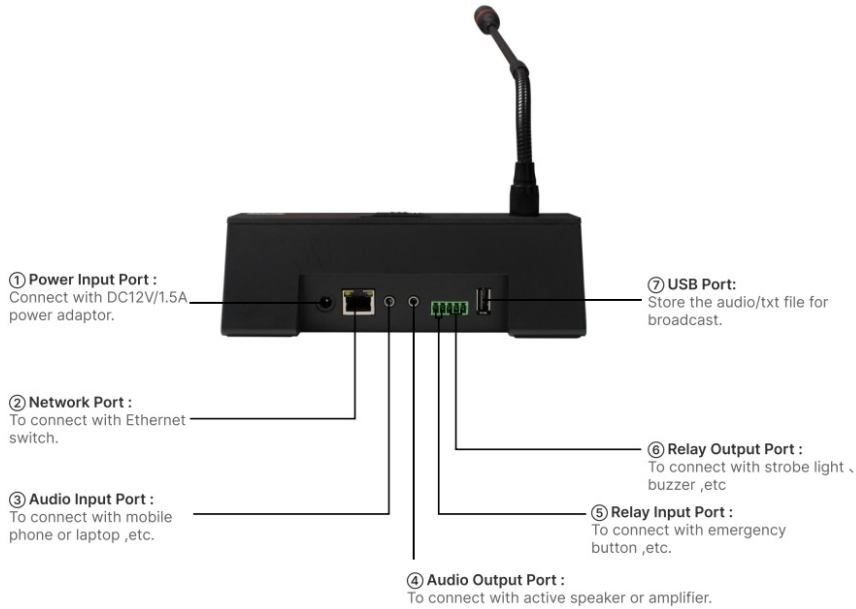
Frequency Response	40Hz-18KHz
Network Interface	10BASE-T/100BASE-TX RJ45
Network Protocol	TCP/IP, UDP, ARP, ICMP, IGMP, HTTP, SIP
Configuration Method	Web Interface/Device Configuration Tool
Display Screen	7" (1280x800); Capacitive Touch Screen
CPU	4-core ARM
RAM	1 GB
Memory	4 GB
Mounting Method	Desktop
Installation Environment	Dry Indoor Locations Only
Operating Temperature	0°C~+45°C(32°F~113°F)
Operating Humidity	≤90% RH non-condensing
Front Panel Material	Steel
Housing Material	ABS
Colour	Black
Dimension	183.9x169x58.4mm
Weight	0.75Kg

FRONT PANEL

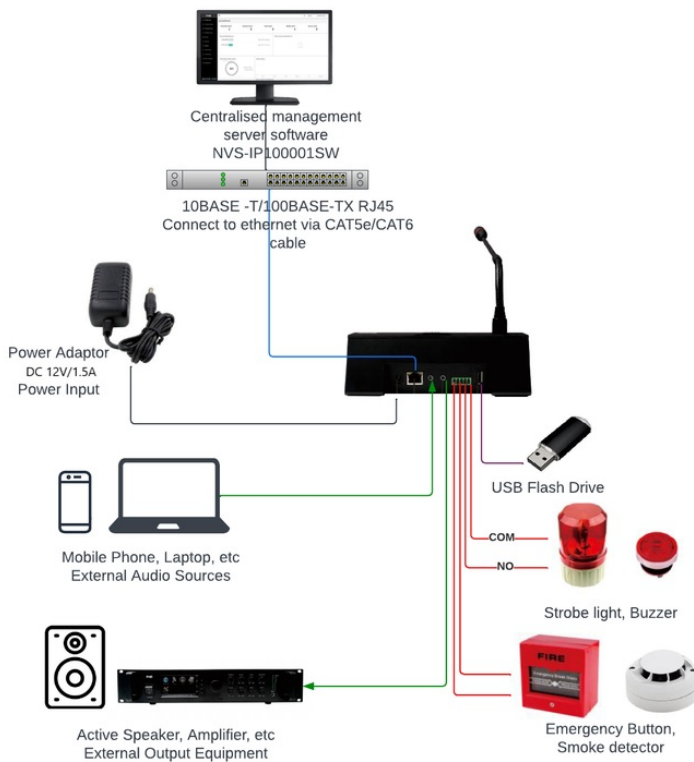


IP Based Paging Microphone with Touch Screen

REAR PANEL

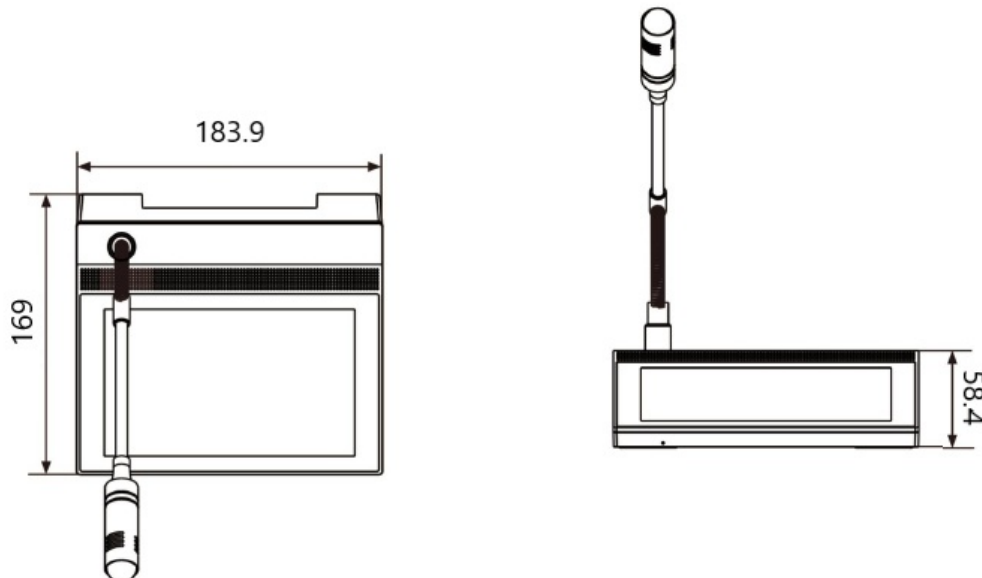


CONNECTION DIAGRAM



IP Based Paging Microphone with Touch Screen

DIMENSION



ORDERING INFORMATION

Part Number	Description	Standard Quantity
NVS-IP100003PM	IP Based Paging Microphone with Touch Screen	01

ACCESSORIES INFORMATION

Description	Standard Quantity
Terminal Blocks (3.55P)	01
Power Adaptor (DC24V/1.5A)	01
Microphone Rods (IM 320B)	01
Certificate and warranty card	01
Quick Installation Guide	01