

4MP IR IP VANDAL PROOF DOME CAMERA



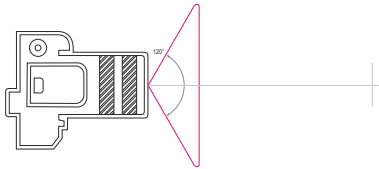
ENC-HVD7F-15R-56

FEATURES

- 1/3" Progressive Scan CMOS
- Fixed Lens 3.6mm
- 4MP@20fps, 3MP@30fps, 1080P@30fps
- Triple Streams
- Smart IR Range 10-15M
- Low bitrate ,Excellent low light performance
- WDR, 3D DNR
- ROI, Defog, HLC, Corridor mode, DIS
- Compact Design



Field Of View



SPECIFICATION

MODEL	Model No.	ENC-HVD7F-15R-56
	Type	4MP IR IP Vandal Proof Dome Camera
CAMERA	Image Sensor	1/3" Progressive Scan CMOS
	Min. illumination	Color 0.05Lux; IR ON 0 Lux
	Day/Night	ICR
	Shutter Speed	1/5-1/20000
	Auto Iris	Fixed
	Wide Dynamic Range	WDR>120dB
	Digital Noise Reduction	2D/3D
	Lens	Fixed Lens 3.6mm
	FOV	76°
	IR LED	2pcs
IR Range	10-15M	
IMAGE	Video Compression	H.264/265, MJPEG
	Bit Rate (CBR/VBR)	Main stream: 500kb-12000kb ; Sub stream 100kb-6000kb
	Audio Compression	G.711 , RAW_PCM
	Max. Resolution	2592*1520/2560*1440/20fps, 2304*1296/30fps, 1920x1080/30fps
	Stream	Stream 1: 2592*1520/2560*1440/2304*1296/1920x1080, Stream 2: D1 to QVGA
	Image Setting	Rotate Mode, Saturation, Brightness, Contrast, Sharpness
	HLC	Yes
	9:16 Corridor mode	Yes
	DIS	Auto
	ROI	Yes
	Defog	Yes



4MP IR IP VANDAL PROOF DOME CAMERA

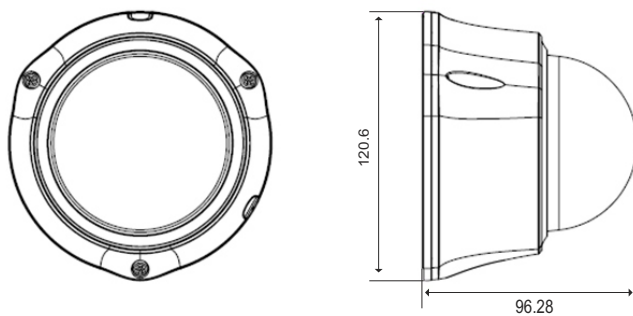


ENC-HVD7F-15R-56

SPECIFICATION

MODEL	Model No.	ENC-HVD7F-15R-56
	Type	4MP IR IP Vandal Proof Dome Camera
NETWORK	Network Protocols:	HTTP,HTTPS, TCP/IP, UDP/IP, RTSP, DHCP, NTP, PPPoE, Unicast and Multicast supported.
	Alarm Trigger	Motion Detection, Network disconnect, Disk alarm, I/O alarm
	RTSP Video	Standard RFC2326, Support QuickTime / VLC Player.
	Security	User security authentication, Reset, Hardware WatchDog
	Web Language	English, Polish, Italian, Portuguese, Spanish
	System Compatibility	Onvif, CGI
INTERFACE	Ethernet	1 Ethernet (10/100 Base-T) RJ-45 Connector
	Microphone	Yes, built-in
	Audio I/O	1ch Audio In&1ch Audio Out
	Alarm I/O	1ch Audio In&1ch Audio Out
	RS485	Optional
	BNC Output	Yes
	Reset Button	Yes
	Edge Storage	Micro SD/SDHC/SDXC slot ,Max128GB
GENERAL	Power Supply	DC 12V/PoE
	Power Consumption	5W(IR LED OFF); 7W (IR LED ON)
	Operating Temperature	-40 °C ~ 60 °C (-40 °F ~ 140 °F)
	Operating Humidity	0% - 90% RH
	Ingress Protection	IP66
	Approvals	CE / FCC
	Dimensions	120.6x96.28mm
	Weight	0.70Kg

Dimension Unit: mm



Ordering Information

Part Number	Description	Standard Quantity
ENC-HVD7F-15R-56	4MP IR IP Vandal Proof Dome Camera with 3.6mm (optional 2.8mm) Fixed lens, POE, SD card Slot and 15M IR support	1

Packing Information

Part Number	Packing Mode	Gross Weight (kg)	Dimension (mm)
ENC-HVD7F-15R-56	Carton Box	0.70	120.6x120.6x96.28

