

Explosion proof Video Intercom



DESCRIPTION

The NVS-IP1000271C is an IP video anti-explosion Intercom Terminal. It adopts the stainless steel cabinet which is stable and durable. The protection level can be reached up to IP68. It is mainly suitable for oil refineries, chemical plants, gas station and other places that contain explosive gas and dust.

FEATURES

- Built-in HD wide angle camera, adopts H.264 coding
- Provided with a numerical keypad, which can call to any target station
- User defined quick call target to achieve one-click call
- Compatible with standard SIP protocol
- It can be registered to VoIP telephone system (mainstream IP PBX such as Asterisk, Yealink and so on) independently
- Supports initiate all-zone broadcasting and receive broadcasting from software
- Supports initiating and receiving offline intercom without centralized management server software
- Built-in digital amplifier to connect with external anti-explosion speaker
- Equipped with 1x Relay output interface for linkage with external device
- Equipped with 1x Relay input interface to be connected with emergency button, infrared detector or smoke detector
- Equipped with RJ45 interface, accessible to any systems
- Ethernet is available, supporting cross-segment and cross-routing

Specifications

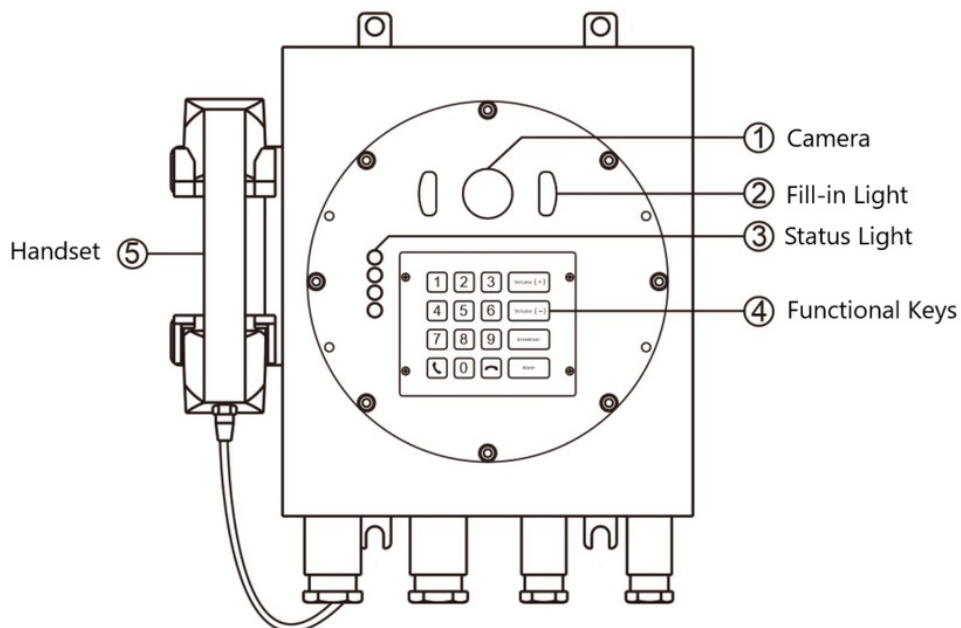
Model	NVS-IP1000271C
Power Supply	AC 220V, 50Hz
Standby Power Consumption	≤50W
Audio Sampling & Bit Rate	8kHz-44.1kHz, 16bit, 8kbps-320kbps
Built-in Amplifier	8Ω, 30W

NVS-IP100027IC

Explosion proof Video Intercom

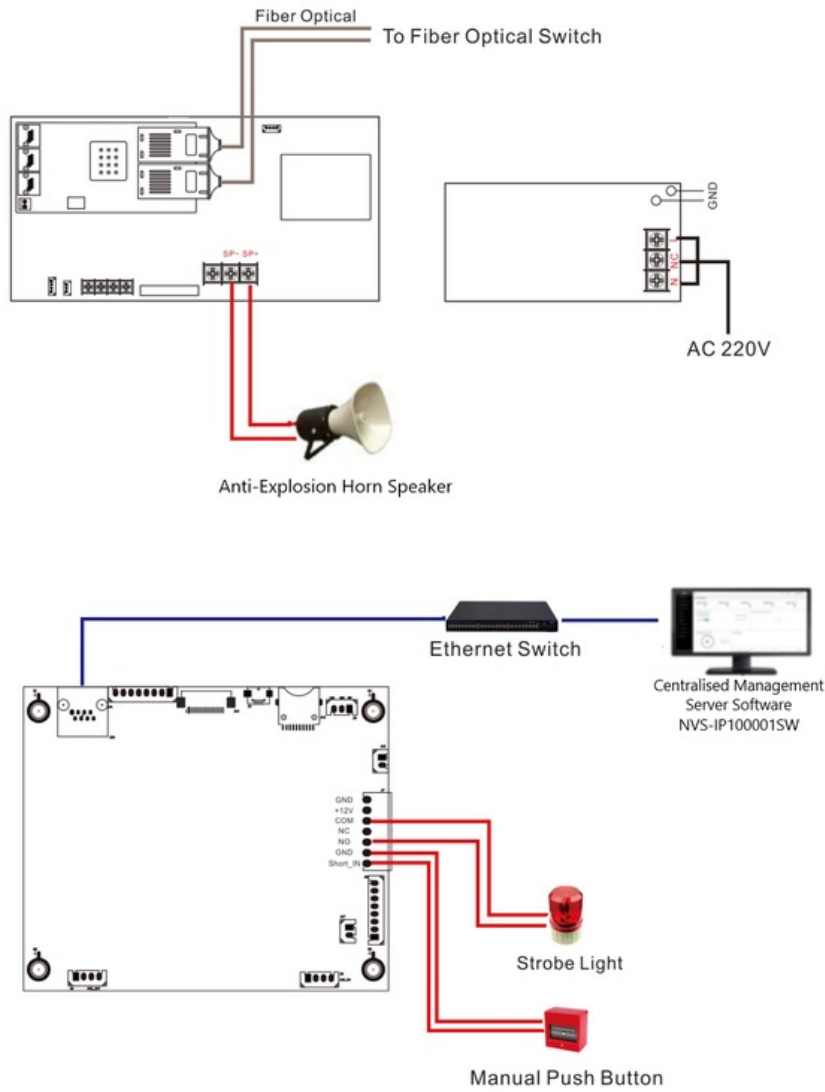
Audio Coding	PCM/ ADPCM/ WAV
Camera	CMOS
Video Coding	H.264
Video Transmission Bit Rate	96kbps-1024kbps
Network Interface	10BASE-T/ 100BASE-TX RJ45
Network Protocol	TCP/IP, UDP, ARP, ICMP, SIP, IGMP, ONVIF
Configuration Method	Web Interface or DevConfig Tool
Mounting Method	Wall Mounted
Installation Environment	Outdoor Locations
Operating Temperature	-20°C~+40°C
Operating Humidity	≤90% RH (Non-Condensing)
Front Panel Material	Stainless Steel
Colour	Silver
Protection Level	IP68
Weight	19 Kg
Dimensions	356×402×178 mm

FRONT PANEL



Explosion proof Video Intercom

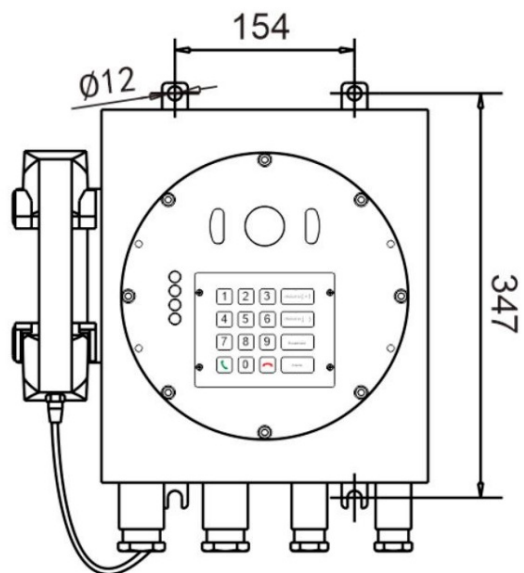
CONNECTION DIAGRAM



Explosion proof Video Intercom

DIMENSION

Unit: mm



ORDERING INFORMATION

Part Number	Description	Standard Quantity
NVS-IP100027IC	Explosion proof Video Intercom	01

ACCESSORIES INFORMATION

Description	Standard Quantity
Expansion Screws (M10 x 60, including spring washer, washer and nut)	04
Operation Guide	01
Installation Manual	01