

# HIGH-DENSITY RACK MOUNT FIBRE PATCH PANEL

The Norden High-Density Rack Mount Fibre Patch Panel provides Splicing / Pass-through space for backbone and fibre to the desk. These panels come with a smart design, easy to install, and can be easily maintained. They are frequently used in Telecom & data centres.



## FEATURES

- Easy front access.
- 19 rack mount 1U
- 4 no's of Snap-in Sub modules can accommodate in (1U)
- A lockable front panel protects the Trunk cables & Patch Cords
- The cable manager is available to route the trunk cable properly
- This panel is compatible with Splicing & Pass-Through

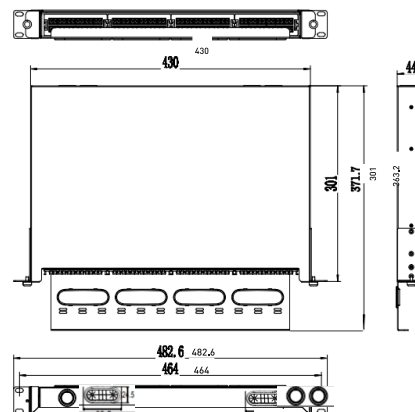
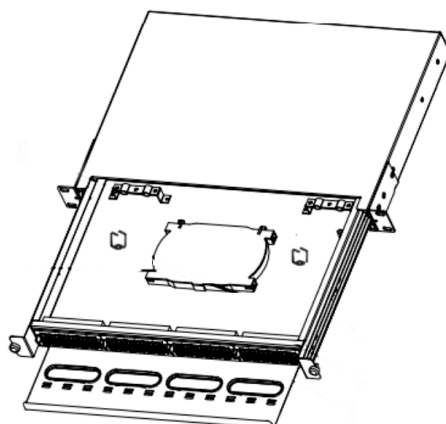
## COMPLIANCE

TSE: EN 61587-1 Mechanic  
 Equipment - Tests for IEC 60917 and IEC 60297  
 Climatic and Environment: EN 61587-1/4.2, IEC60068-2-1,  
 IEC60068-2-2, IEC60068-2-30

## SPECIFICATIONS & ACCESSORIES

Mounting Type	19" Rack
Panel Type	Drawer
Material	SPCC
Material Thickness (min.)	1.5 mm
Panel Frame Thickness (min.)	1.5mm
Adaptor Plate Thickness (min.)	1.0mm
Ear Plate	2 Pcs
Thickness	1.5mm
Cable Entry	3 on the Rear Side (1 Rectangle Hole with Rubber Grommet for Pass-through Cable entry & 2 round holes for Fibre cable entry)
Splice Tray	2X48F
Splice Capacity	LC:96F, SC:48F
Pass-Through Capacity	LC:96F, SC:48F & 48 MTP/MPO Trunk cables
Humidity	Relative Humidity~25%~75%(+30 C)
Operation Temperature	-20°C to 70°C

## DRAWING



# HIGH-DENSITY RACK MOUNT FIBRE PATCH PANEL

## ORDERING INFORMATION

### PATCH PANEL

Part Number	Description	Dimension(mm)
747-R01X	High-Density Rack Mount Fibre Patch Panel Unloaded- 1U	44x482.66x363.2
750-01X	High-Density Rack Mount Panel Blank insert	

### ADAPTOR MODULE

Part Number	Description
748-L11SMX	12 Port SM LC/PC Duplex Snap-in Sub Module Loaded
748-L13SMX	12 Port SM LC/APC Duplex Snap-in Sub Module Loaded
748-L12SMX	12 Port SM LC/UPC Duplex Snap-in Sub Module Loaded
748-L110M4X	12 Port MM LC/PC Duplex Snap-in Sub Module Loaded
748-L120M5X	12 Port MM OM5 LC/UPC Duplex Snap-in Sub Module Loaded
748-S23SMX	12 Port SM SC/APC Simplex Snap-in Sub module Loaded
748-S210M4X	12 Port MM SC/PC Simplex Snap-in Sub Module Loaded
748-M400X	12 Port MTP Key Up-Key Down Snap-in Sub Module Loaded
748-L200X	6 Port SM LC/UPC & 6 Port OM3 Duplex Snap-in Sub Module loaded
748-L300X	6 Port SM LC/APC & 6 Port OM3 Duplex Snap-in Sub Module loaded
748-L400X	6 Port SM LC/UPC & 6 Port OM4 Duplex Snap-in Sub Module loaded
748-L500X	6 Port SM LC/APC & 6 Port OM4 Duplex Snap-in Sub Module loaded