

4X2MP MULTI SENSOR CAMERA



ENC-HVDAQ-25R-20

FEATURES

Starlight Illumination
4 mm Fixed lens
Smart IR up to 25 m (radius)
ONVIF Profile (S, G)
Audio and Alarm Support
PoE+, IP66, IK10



SPECIFICATION

MODEL	Model No.	ENC-HVDAQ-25R-20
CAMERA	Type	4x2MP MULTI SENSOR CAMERA
	Image Sensor	4Ch x 1/2.8" CMOS Progressive 2.0 MegaPixel
	Day / Night	IR Cut Filter with Auto Switch
	Lens Type	Fixed Lens
	Focal Length	4 mm
	Focus	Fixed
	Iris Type	Fixed
	FOV	H: 90.0°, V:50.0°
	Adjustment Angle	Circular: 0° ~ 95°, Vertical: 40.0° ~ 70.0° (4Ch)
	Aperture	F1.6
	Shutter	1s to 1/100,000s
	Min. Illumination	Color: 0.005 lux @ F1.6, B/W: 0.001 @ F1.6, 0 lux with IR
	AGC	Auto / Manual
	Digital Noise Reduction	3D DNR
	S/N Ratio	52 dB
	Defog	Smart Defog
	WDR	120 dB
	Smart IR	Up to 25 m (radius)
Wavelength	850 nm	

4X2MP MULTI SENSOR CAMERA



ENC-HVDAQ-25R-20

MODEL	Model No.	ENC-HVDAQ-25R-20
	Type	4x2MP MULTI SENSOR CAMERA
VIDEO	Max. Resolution	1920x1080
	Video Compression	H.265+, H.265, H.264, MJPEG
	Frame Rate	Stream 1 : (1920x1080, 1280x720, 720x480) @ 25/30 fps @ Channel 1 Stream 2 : (1920x1080, 1280x720, 720x480) @ 25/30 fps @ Channel 2 Stream 3 : (1920x1080, 1280x720, 720x480) @ 25/30 fps @ Channel 3 Stream 4 : (1920x1080, 1280x720, 720x480) @ 25/30 fps @ Channel 4
	Stream Settings	PAL/NTSC, Frame Rate(1-30 fps)
	Image Settings	Brightness, Contrast, Saturation, Sharpness, Gain and White Balance can be adjusted by software / browser
	White Balance	Auto, Indoor, Outdoor, Manual
	ROI	Up to 4 regions
	Privacy Mask	Up to 4 regions
AUDIO	Audio Compression	G.711A, G.711U
	Two-Way Audio	Supported
	Audio I/O	1/1
	Audio Voltage	1 Input: impedance 1kΩ; amplitude 2~2.4 V [p-p] 1 output: impedance 600Ω; amplitude 2V [p-p]
SMART	Behavior Detection	Intrusion (Perimeter), Crossline (Tripwire), Region Entry / Exit Detection
	Intelligent Identification	Abandoned Object (Object Left), Missing Object(Object Lost), Scene Change
	Statistical Analysis	Human & Vehicle Detection and Classification, Face Comparison
	Alarm Management	Motion Detection, Tampering, Input & Output Event, Smart Events, SD card Alarm (Full & Error), IP Address Conflict, Network Connectivity Lost
	Alarm Notifications	E-mail, HTTP, FTP, SD Card & Alarm Out (Event Notification/ Recording/ Snapshot upload through E-mail, HTTP, FTP & SD Card)
INTERFACE	Protocols	TCP/IP, UDP, IPv4, IPv6, ICMP, IGMP, HTTP, HTTPS, FTP, DHCP, DNS, DDNS, RTP, RTSP, RTCP, PPPoE, NTP, UPnP, SMTP (SSL/TLS), QoS, 802.1x, SNMP
	Security	User Authentication, HTTPS Encryption, IP address Filtering, 802.1x Authentication, MAC Address Authentication
	Compatibility	ONVIF Profile (S, G), SDK
	Network	1 x RJ45 10M/100M Self Adaptive Ethernet Port
	Alarm Interface	1 Input / 1 Output
	Edge Storage	Built-in Micro SD card slot, up to 256 GB
	ANR	Supported
	Remote Connection	≤6
	User Accounts	≤16
	Cable Interface	Pig Tail
GENERAL	Power Supply	24V AC / 24V DC, PoE+(IEEE 802.3 at)
	Max. Power Consumption	25W
	Working Temperature	-40 °C ~ 70 °C
	Working Humidity	≤95% RH (non-condensing)
	Ingress Protection	IP66
	Vandal Resistant	IK10
	Surge Protection	TVS6000V
	Dimensions	Φ273x180 mm
Net Weight	3.26 kg	

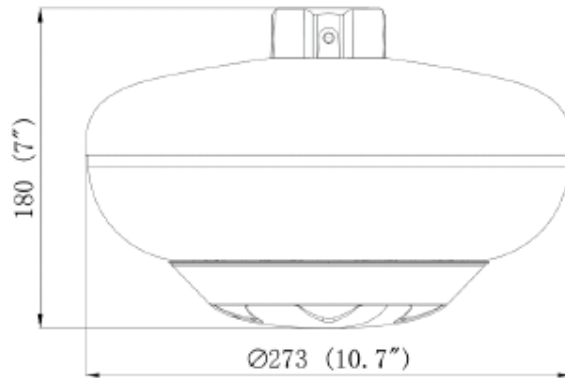
4X2MP MULTI SENSOR CAMERA



ENC-HVDAQ-25R-20

MODEL	Model No.	ENC-HVDAQ-25R-20
	Type	4x2MP MULTI SENSOR CAMERA

Dimension Unit : mm



ORDERING INFORMATION

Part Number	Description	Standard Quantity
ENC-HVDAQ-25R-20	8MP (2MP*4) IR IP H.265 Multi Sensor Camera with Four Directional View, 4mm Fixed Lens, PoE, Sd Card Slot and 25m IR Support	1

PACKING INFORMATION

Part Number	Packing Mode	Gross weight(Kg)	Dimension(mm)
ENC-HVDAQ-25R-20	Carton Box	-	-