

IP Based Remote Paging Mic with Video intercom



DESCRIPTION

The NVS-IP100026PM is an IP based remote paging microphone with video intercom and has a professional modular console design. It is equipped with 10.2" digital TFT true color LCD display & capacitive touch screen (resolution: 1280×800). It is integrated with 13 mega-pixel HD digital camera for two-way video intercom with other video intercom terminals. It contains built-in 3W speaker and unidirectional condenser microphone for two-way hands-free intercom and audio monitoring. It has built-in intelligent face recognition chip which can realize local face recognition. It supports pre-recording and file broadcasting function then the audio files or recordings can be broadcasted to the specified terminal. It is equipped with 1×Relay Input and 1×Relay Output interface for external linkage with emergency button, infrared detector, smoke detector, alarm light or electronic door lock.

FEATURES

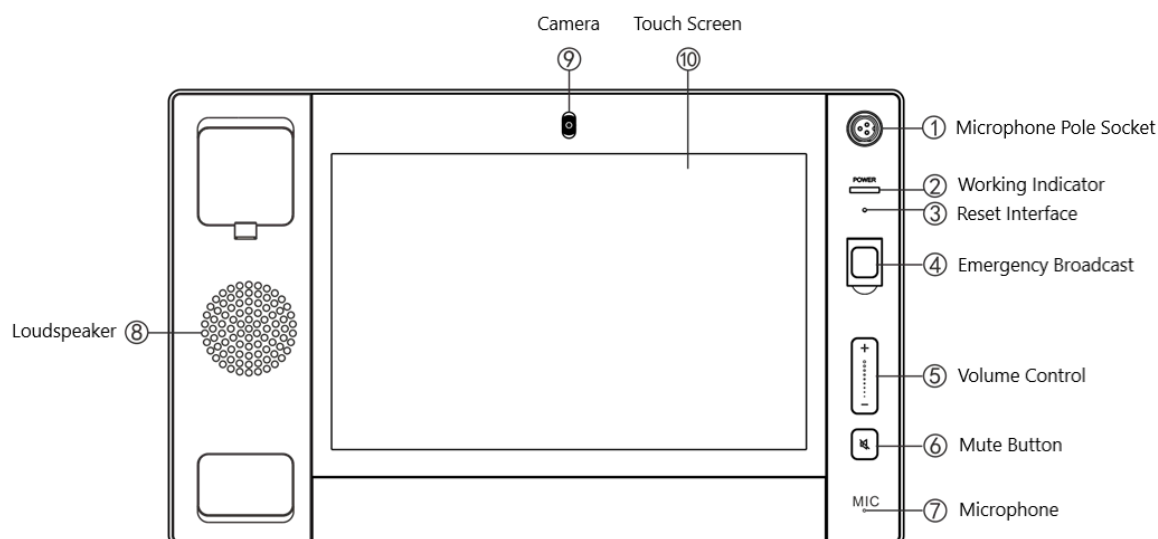
- ⦿ Professional, versatile console supporting various installations like desktop, embedded and wall mounted
- ⦿ Equipped with a 10.2" TFT LCD touch screen and a 13MP HD camera for two-way video intercom
- ⦿ Built-in 3W speaker, unidirectional microphone and Bluetooth connectivity for diverse intercom options
- ⦿ Includes hands-free and detachable gooseneck microphone options
- ⦿ Flexible paging broadcasting across different zones
- ⦿ Provides three different calling modes for options: Dial Calling, Bookmarks Calling, Map Calling
- ⦿ Built-in intelligent face recognition chip for enhanced security
- ⦿ Pre-recording and file broadcasting to specified terminals, along with full audio/video conference support
- ⦿ Network state checks for each system terminal
- ⦿ Relay Input/Output interfaces for linking with emergency buttons, detectors, alarms, and electronic locks
- ⦿ SIP protocol compatibility for seamless integration with VoIP systems like Cisco, Asterisk and Yealink

Specifications	
Model	NVS-IP100026PM
Power supply	12V/3.3A, POE (IEEE802.3af)
Standby Power Consumption	≤20W
Audio Codec	MP2, MP3, PCM, ADPCM

IP Based Remote Paging Mic with Video intercom

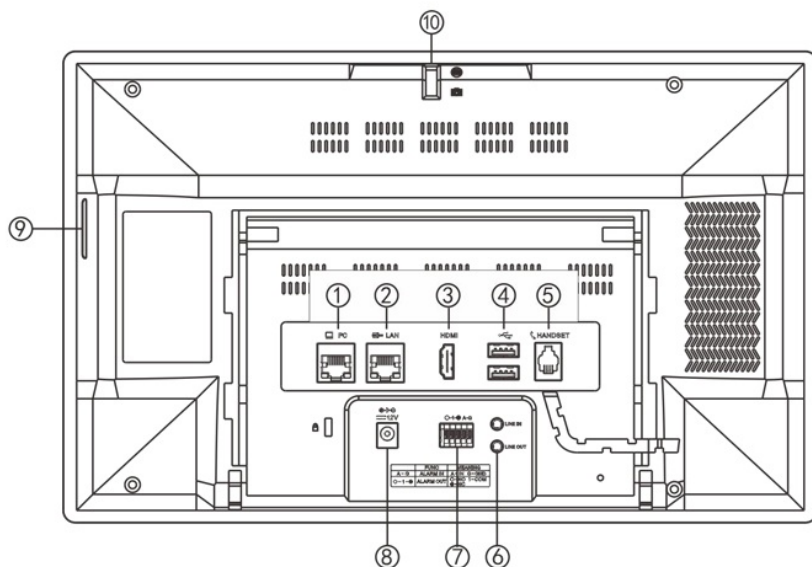
Audio Sampling & Bit Rate	8kHz~48kHz, 16bit/32bit, 8kbps~320kbps
Built-in Speaker	3W, 4Ω
Gooseneck Mic Type	Condenser
Signal to Noise Ratio	>85dB
Frequency Response	25Hz~20KHz
Built-in Camera	1/2.9", CMOS
Built-in Camera Resolution	13 million pixels
Built-in Camera Diafragma & Focal length	F2.2, 3.69mm
Built-in Camera Horizontal/Vertical Viewing Angle	74.9°
Built-in Camera Frame Rate	25fps
Video Transmission Bit Rate	512Kbps~4Mbps
Network Interface	10BASE T/100BASE TX RJ45
Network Protocol	TCP/IP, UDP, ARP, ICMP, IGMP, SIP, HTTP, RTP
Configuration Method	Web Interface or DevConfig Tool
Display Screen	10.2 inch (1280*800), capacitive touch screen
Mounting Method	Desktop, Embedded and Wall Mounted
Installation Environment	Dry Indoor Locations Only
Operating Temperature	-10°C~+50°C (14°F~122°F)
Operating Humidity	≤90% RH (Non Condensing)
Front Panel Material	Plastic
Housing Material	Plastic
Colour	Black
Product Dimensions	337x211x32.7 mm
Product Weight	1.65 Kg

FRONT PANEL



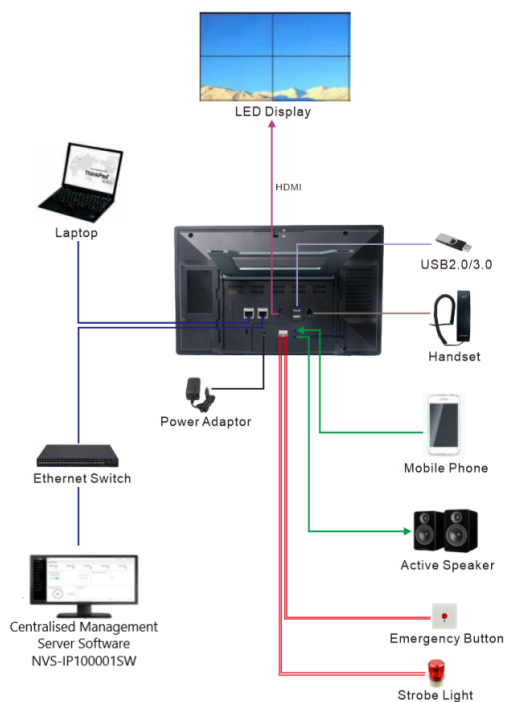
IP Based Remote Paging Mic with Video intercom

REAR PANEL



- ① PC Interface
- ② LAN Port
- ③ HDMI Interface
- ④ USB Interface
- ⑤ Handset Interface
- ⑥ Line Input Interface (up), Line Output Interface (down)
- ⑦ Alarm Input/Output Interface
- ⑧ Power Interface
- ⑨ SD Card Slot
- ⑩ Camera

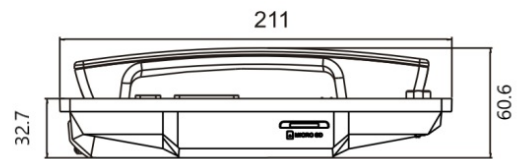
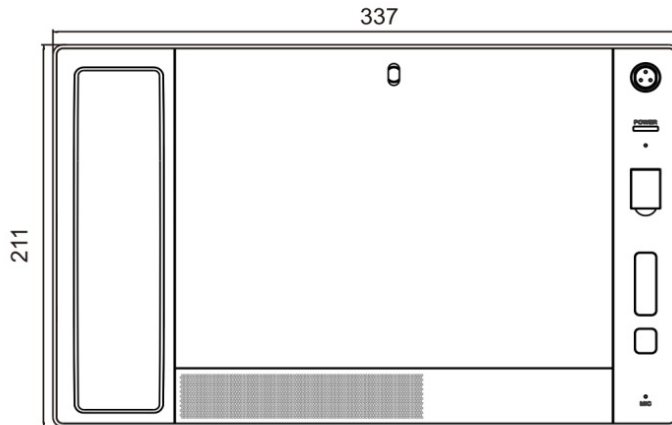
CONNECTION DIAGRAM



IP Based Remote Paging Mic with Video intercom

DIMENSION

Unit: mm



ORDERING INFORMATION

Part Number	Description	Standard Quantity
NVS-IP100026PM	IP Based Remote Paging Mic with Video intercom	01

ACCESSORIES INFORMATION

Description	Standard Quantity
Rods (IM 250)	01
Handset	01
Telephone Line	01
Quick Installation Guide	01
Warranty card	01
Power Adaptor (DC 12V/3.3A)	01