

IP Based Fire Alarm Interface



IP Based PA System

DESCRIPTION

The NVS-IP100021FT is an IP based Fire Alarm interface, which adopts a high-speed industrial grade dual-core (ARM+DSP) chip, with start-up time ≤ 3 seconds. It is equipped with 32xAlarm Input interface (supporting short circuit signal input & DC 24V input) for external linkage with fire alarm system and 8xAlarm Output (NO contact) interface to be connected with alarm light to indicate the alarm status. To expand the number of alarm input interfaces, several IP fire alarm interface modules can be integrated into a single system. It is equipped with standard RJ45 interface, accessible to the system wherever Ethernet is available, supporting cross-segment and cross-router.

FEATURES

- ◉ Compact 1U rack design
- ◉ Utilizes a high-speed industrial dual-core chip (ARM + DSP), achieving a start-up time of less than 3 seconds
- ◉ Incorporates multiple IP network interface units for seamless expansion, featuring 32 alarm input and 8 short circuit output interfaces
- ◉ Automatically dispatches alarm information to the server for task execution, supporting alarms at the next layer and across all zones
- ◉ Alarm sound files are stored in advance on the server, ensuring readiness for the "alert generator"
- ◉ Operates anywhere with Ethernet availability, supporting cross-network segment and routing capabilities

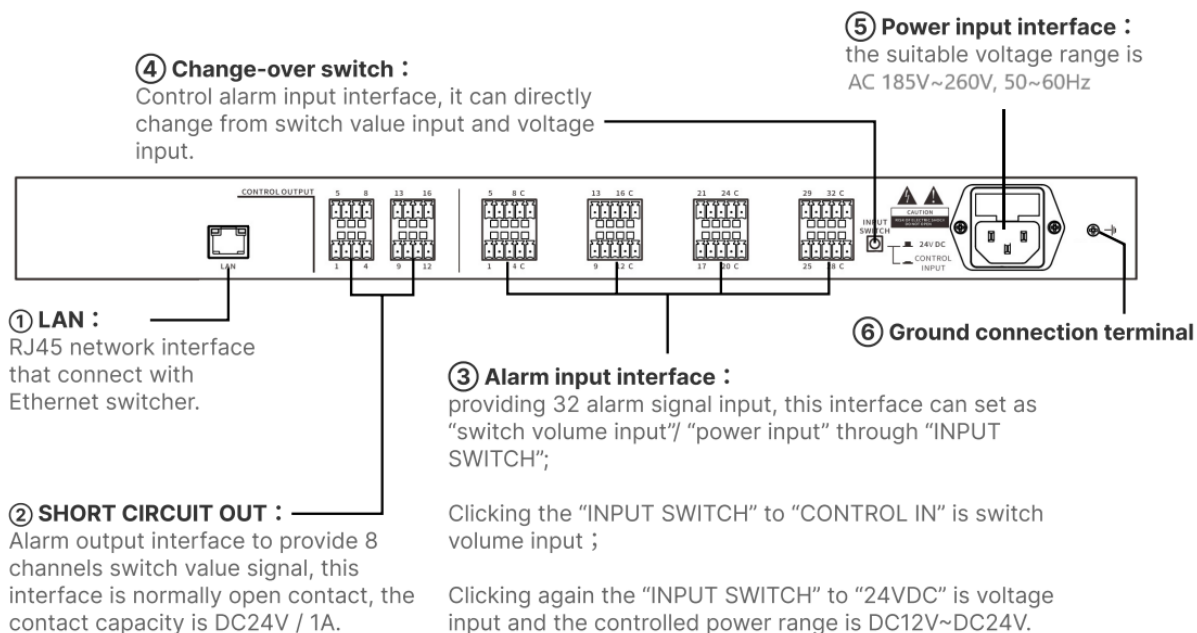
Specifications	
Model	NVS-IP100021FT
Power Supply	AC 185V~260V, 50~60Hz
Power Consumption	$\leq 15W$
Network Chip Rate	10/100Mbps adaptive
Network Protocol	TCP/IP, UDP, ARP, ICMP, IGMP
Network Interface	1xRJ45, 32xAlarm Input, 8xAlarm Output, 1xPower Port
Mounting Method	1U Rack-Mounted
Working Temperature	-10°C~70°C (14°F~158°F)
Operating Humidity	$\leq 90\%RH$ (Non Condensing)
Storage Temperature	-30°C~70°C (-22°F~158°F)
Material	Metal
Colour	Black
Product Dimensions	483x259x44 mm
Product Weight	2.7 Kg

IP Based Fire Alarm Interface

FRONT PANEL

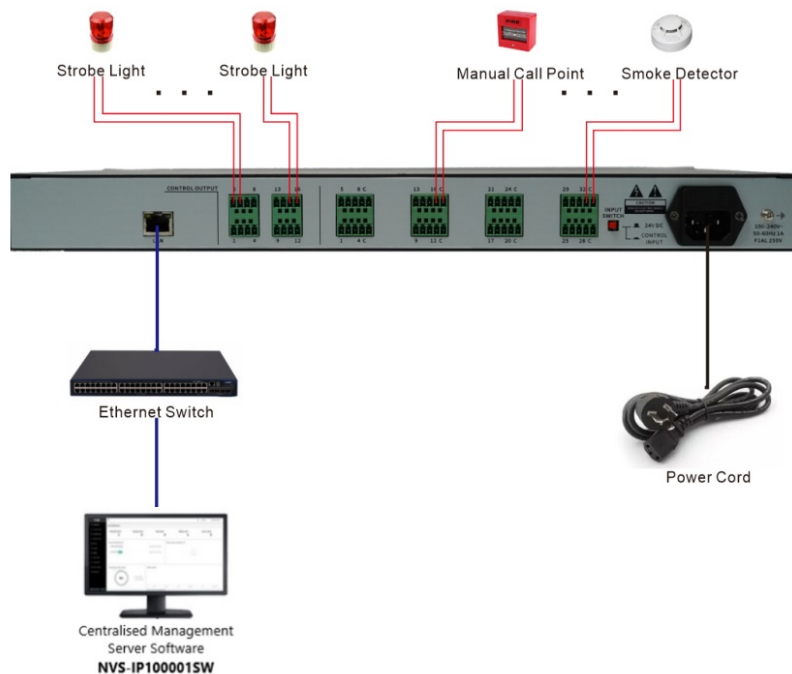


REAR PANEL



IP Based Fire Alarm Interface

CONNECTION DIAGRAM



DIMENSION

Unit mm



ORDERING INFORMATION

Part Number	Description	Standard Quantity
NVS-IP100021FT	IP Based Fire Alarm Interface	01

ACCESSORIES INFORMATION

Description	Standard Quantity
Terminal (4P)	04
Terminal (5P)	08
Quick Installation Guide	01
Quality Certificate	01
Warranty Card	01