

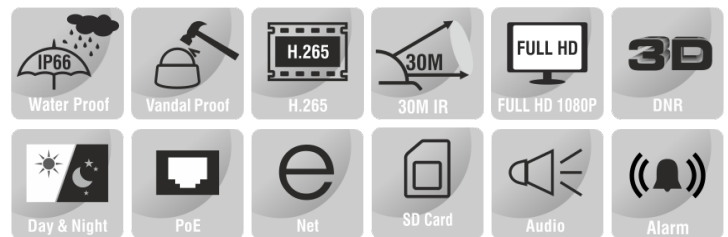
# 2MP MOTORIZED VANDAL DOME CAMERA



ENC-HVD5M-30R-92

## FEATURES

Starlight Illumination
2.7-13.5 mm Motorized Lens
Smart IR up to 30 m
ONVIF Profile (S, G, T)
Audio and Alarm Support
PoE, IP66, IK10



## SPECIFICATION

MODEL	Model No.	ENC-HVD5M-30R-92
	Type	2MP MOTORIZED VANDAL DOME CAMERA
CAMERA	Image Sensor	1/2.8" CMOS Progressive 2.0 MegaPixel
	Day/Night	IR Cut Filter with Auto Switch
	Lens Type	Motorized
	Focal Length	2.7-13.5 mm
	Digital Zoom	16x
	Focus	Auto / Manual
	Iris	DC Auto Iris
	Lens Mount	Φ14
	Angle of View (H)	102.9°~31.4°
	Angle of View (V)	55.0° ~ 17.9°
	Angle Adjustment	Pan 0~330°, Tilt 0~75°, Rotate 0~350°
	Aperture Range	F1.6
	Shutter	1s to 1/100,000s, Auto / Manual
	Min. Illumination	Color: 0.001 lux @ F1.6, B/W: 0 lux with IR
	AGC	Auto / Manual
	Digital Noise Reduction	3D DNR
	S/N Ratio	≥60 dB
Defog	Smart Defog	
WDR	120 dB	
Smart IR	Up to 30 m	
Wavelength	850 nm	
White LEDs	N/A	

# 2MP MOTORIZED VANDAL DOME CAMERA



## ENC-HVD5M-30R-92

MODEL		Model No.	ENC-HVD5M-30R-92
VIDEO	Type	2MP MOTORIZED VANDAL DOME CAMERA	
	Max. Resolution	1920x1080	
	Video Compression	H.265+, H.265, H.264	
	Frame Rate	Main Stream: (1920x1080, 1280x720, 704x480, 640x480) @ 30fps, (1920x1080, 1280x720, 704x576, 640x480) @ 25fps Sub Stream: (704x480, 704x240, 640x360, 352x240) @ 30fps, (704x576, 704x288, 640x360, 352x288) @ 25fps Third Stream: (704x480, 704x240, 640x360, 352x240) @ 5fps, (704x576, 704x288, 640x360, 352x288) @ 5fps	
	Stream Settings	i-Frame, PAL/NTSC, Frame Rate (1~30FPS), EIS, SVC	
	Video Bit Rate	32 kbps ~ 6 Mbps	
	Bitrate Type	CBR, VBR	
	Image Settings	Brightness, Contrast, Saturation, Hue, Sharpness, Rotation/Mirror, Gain, Exposure, Day/Night	
	White Balance	Auto, Semi Auto, Sunshine, Daylight, Warm Light, Filament, Nature Light, Lock WB, Manual	
	HLC	Supported	
	BLC	Supported	
	OSD	Total 3 regions	
	OSD Type	Title, Week, Date, Time, Text with different colors and adaptable sizes (16x16, 32x32, 48x48)	
	ROI	Up to 8 regions	
	Privacy Mask	Up to 4 regions	
	AUDIO	Audio Compression	G.711A, G.711U, ADPCM_D
Audio Bit Rate		8 kbps ~ 48 kbps	
Audio I/O		1/1	
Built-in Mic		Supported with noise cancellation	
SMART	Behavior Detection	Intrusion (Perimeter), Crossline (Tripwire)	
	Intelligent Identification	N/A	
	Statistical Analysis	N/A	
	Alarm Management	Motion Detection, Tampering (Masking), IP & MAC Address Conflict	
INTERFACE	Alarm Notification	HTTP, FTP, SD Card & Alarm Out (Event Notification / Recording / Snapshot upload through HTTP, FTP & SD Card)	
	Protocols	TCP/IP, UDP, IPv4, ICMP, HTTP, FTP, DHCP, DNS, DDNS, RTSP, RTMP, NTP, UPnP, P2P	
	Security	AES Video Encryption, IP Filter, User Authentication (Multiple Privilege Level)	
	Compatibility	ONVIF Profile (S, G, T), SDK/API/CGI	
	Network	1 x RJ45 10M/100M Self Adaptive Ethernet Port	
	Wi-Fi	N/A	
	Alarm Interface	1 Input / 1 Output	
	Serial Interface	N/A	
	USB	N/A	
	Edge Storage	Micro SD card slot, up to 512 GB	
	ANR	Supported	
	Built-in Speaker	N/A	
	Built-in Heater	N/A	
	Cable Interface	Pig Tail	
	Remote Connection	2	
	Client Application	EyeConnect	
Web Language	16		
GENERAL	Power Supply	12V DC, PoE (IEEE 802.3af)	
	Max, Power Consumption	6 W (12V DC), 8 W (PoE)	
	Working Temperature	-40°C ~ 60°C	
	Working Humidity	0-95% RH (non-condensing)	
	Ingress Protection	IP66	
	Vandal Resistant	IK10	
	Extra corrosion resistance coating	Supported (Optional)	
	Surge Protection	TVS4000V	
	Reset Button	Supported	
	Dimensions	Φ143x124 mm	
Net Weight	0.8 Kg		

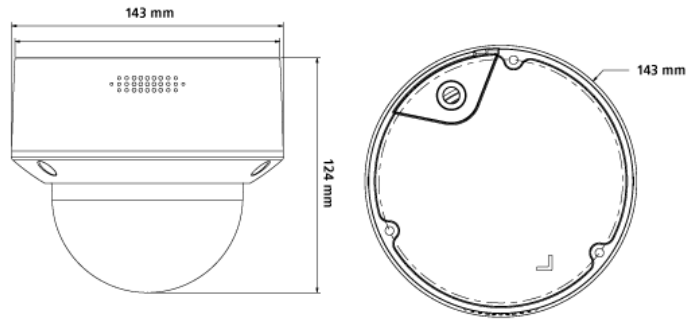
# 2MP MOTORIZED VANDAL DOME CAMERA



## ENC-HVD5M-30R-92

MODEL	Model No.	ENC-HVD5M-30R-92
	Type	2MP MOTORIZED VANDAL DOME CAMERA

Dimension Unit : mm



### ORDERING INFORMATION

Part Number	Description	Standard Quantity
ENC-HVD5M-30R-92	2MP Starlight IR IP Vandal Proof Dome Camera with 2.7-13.5mm Motorized Lens, PoE, WDR, SD Card Slot, Built-in Mic, and 30m IR Support	1
ENB-BTDW65	Eyenor Wall Mount Bracket for Dome Camera (Plastic)	1
ENB-BTEJ65	Eyenor Junction Box for Motorized Turret Camera	1

### PACKING INFORMATION

Part Number	Packing Mode	Gross weight(Kg)	Dimension(mm)
ENC-HVD5M-30R-92	Carton Box	-	-