

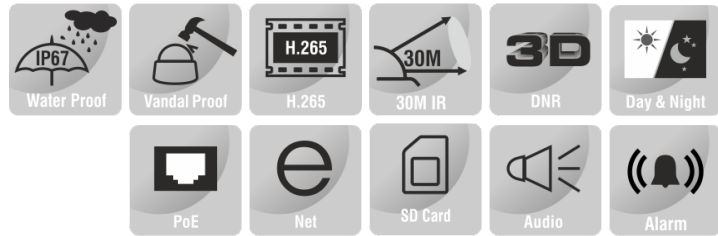
5MP MOTORIZED VANDAL DOME CAMERA



ENC-HVD8M-30R-92

FEATURES

Starlight Illumination
2.7-13.5 mm Motorized Lens
Smart IR up to 30 m
ONVIF Profile (S, G, T)
Audio and Alarm Support
PoE, IP67, IK10



SPECIFICATION

MODEL	Model No.	ENC-HVD8M-30R-92
	Type	5MP MOTORIZED VANDAL DOME CAMERA
CAMERA	Image Sensor	1/2.8" CMOS Progressive 5.0 MegaPixel
	Day/Night	IR Cut Filter with Auto Switch
	Lens Type	Motorized
	Focal Length	2.7-13.5 mm
	Digital Zoom	16x
	Focus	Auto / Manual
	Iris	DC Auto Iris
	Lens Mount	Φ14
	Angle of View (H)	96.2° ~ 29.2°
	Angle of View (V)	70.3° ~ 22.0°
	Angle of View (D)	119.1° ~ 36.5°
	Angle Adjustment	Pan 0~330°, Tilt 0~75°, Rotate 0~350°
	Aperture Range	F1.6
	Shutter	1s to 1/100,000s, Auto / Manual
	Min. Illumination	Color: 0.001 lux @ F1.6, B/W: 0 lux with IR
	AGC	Auto / Manual
	Digital Noise Reduction	3D DNR
	S/N Ratio	≥60 dB
	Defog	Smart Defog
WDR	120 dB	
Smart IR	Up to 30 m	
Wavelength	850 nm	
White LEDs	N/A	

5MP MOTORIZED VANDAL DOME CAMERA



ENC-HVD8M-30R-92

MODEL	Model No.	ENC-HVD8M-30R-92
	Type	5MP MOTORIZED VANDAL DOME CAMERA
VIDEO	Max. Resolution	2592x1944
	Video Compression	H.265+, H.265, H.264
	Frame Rate	Main Stream: (2592x1944) @ 20fps, (2592x1520, 2560x1440) @ 24/25fps, (2304x1296, 1920x1080, 1280x720) @ 25/30fps Sub Stream: (704x480, 704x240, 640x360, 352x240) @ 30fps, (704x576, 704x288, 640x360, 352x288) @ 25fps Third Stream: (704x480, 704x240, 640x360, 352x240) @ 5fps, (704x576, 704x288, 640x360, 352x288) @ 5fps
	Video Bit Rate	32 kbps ~ 6 Mbps
	Bitrate Type	CBR, VBR
	Image Settings	Brightness, Contrast, Saturation, Hue, Sharpness, Rotation/Mirror, Gain, Exposure, Day/Night
	White Balance	Auto, Semi Auto, Sunshine, Daylight, Warm Light, Filament, Nature Light, Lock WB, Manual
	HLC	Supported
	BLC	Supported
	OSD	Total 3 regions
	OSD Type	Title, Week, Date, Time, Text with different colors and adaptable sizes (16x16, 32x32, 48x48, 64x64)
	ROI	Up to 8 regions
	Privacy Mask	Up to 4 regions
	AUDIO	Audio Compression
Audio Bit Rate		8 kbps ~ 48 kbps
Audio I/O		1/1
Built-in Mic		Supported with noise cancellation
SMART	Behavior Detection	Intrusion (Perimeter), Crossline (Tripwire)
	Intelligent Identification	N/A
	Statistical Analysis	N/A
	Alarm Management	Motion Detection, Tampering (Masking), IP & MAC Address Conflict
	Alarm Notification	HTTP, FTP, SD Card & Alarm Out (Event Notification / Recording / Snapshot / upload through HTTP, FTP & SD Card)
INTERFACE	Protocols	TCP/IP, UDP, IPv4, ICMP, HTTP, DHCP, DNS, DDNS, RTP, RTSP, NTP, UPnP, P2P
	Security	AES Video Encryption, IP Filter, User Authentication (Multiple Privilege Level)
	Compatibility	ONVIF Profile (S, G, T), SDK/API/CGI
	Network	1 x RJ45 10M/100M Self Adaptive Ethernet Port
	Wi-Fi	N/A
	Alarm Interface	1 Input / 1 Output
	Serial Interface	N/A
	USB	N/A
	Edge Storage	Micro SD card slot, up to 512 GB
	ANR	Supported
	Built-in Speaker	N/A
	Built-in Heater	N/A
	Cable Interface	Pig Tail
	Remote Connection	≤7
Client Application	EyeConnect	
Web Language	16	
GENERAL	Power Supply	12V DC, PoE (802.3af)
	Max.Power Consumption	6.5 W (12V DC), 8.5 W (PoE)
	Working Temperature	-40 °C ~ 60 °C
	Working Humidity	0-95% RH (non-condensing)
	Ingress Protection	IP67
	Vandal Resistant	IK10
	Surge Protection	TVS4000V
	Reset Button	Supported
	Dimensions	Φ143x124 mm
Net Weight	0.8 Kg	

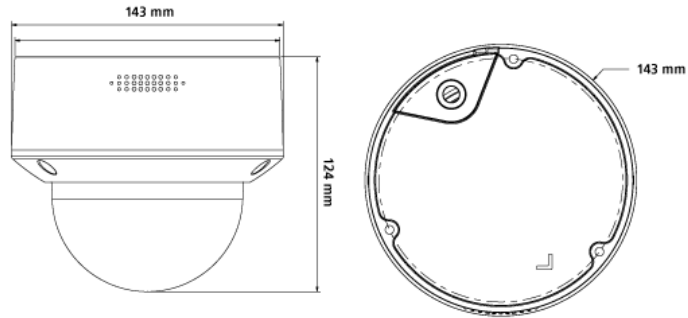
5MP MOTORIZED VANDAL DOME CAMERA



ENC-HVD8M-30R-92

MODEL	Model No.	ENC-HVD8M-30R-92
	Type	5MP MOTORIZED VANDAL DOME CAMERA

Dimension Unit : mm



ORDERING INFORMATION

Part Number	Description	Standard Quantity
ENC-HVD8M-30R-92	5MP Starlight IR IP Vandal Proof Dome Camera with 2.7-13.5mm Motorized Lens, PoE, WDR, SD Card Slot, Built-in Mic, and 30m IR Support	1
ENB-BTDW65	Eyenor Wall Mount Bracket for Dome Camera (Plastic)	1
ENB-BTEJ65	Eyenor Junction Box for Motorized Turret Camera	1

PACKING INFORMATION

Part Number	Packing Mode	Gross weight(Kg)	Dimension(mm)
ENC-HVD8M-30R-92	Carton Box	-	-