

NVS-DC800031CM

Network Chairman Microphone



DESCRIPTION

The NVS-DC800031CM is conference Chairman mic with Voting Function integrated speaking and voting. It is equipped with electret cardioid directional capacitive pickup with two-color indicator light (red/green), red for speaking, and green for applying for speaking. The mic is powered by the system host or PoE switch, with input voltage of +48V. It has the priority function (can mute or turn off all delegate mics), and the podium mode (the chairman mic is always on).

FEATURES

- ◉ Compliant with IEC 60914 international standard.
- ◉ Button check-in function
- ◉ Unique ID number for each conference mic
- ◉ Mic has a self-test function
- ◉ Permission to approve the application for speaking from the delegate mic
- ◉ Priority function of fully controlling the conference order
- ◉ Support hand-in-hand connection mode

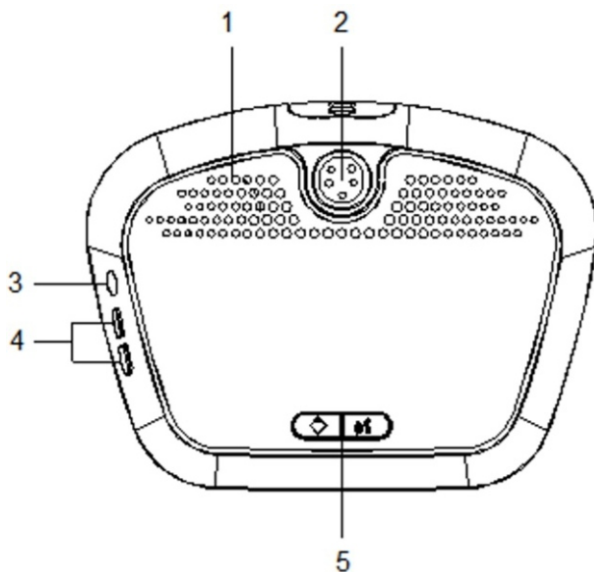
Specifications

Model	NVS-DC800031CM
Microphone type	Electret cardioid Condenser
Mic Sensitivity	-30dBV/pa
Mic Impedance	2kΩ
Mic equivalent Noise	20dB[SPL]
Mic Maximum SPL	125dB[THD<3%]
Frequency response	MIC A to MIC B:50Hz-14kHz Host Line to MIC:30Hz-18kHz MIC to Host LINE:40Hz-16kHz
Speaker power	1.5W
Power consumption	<8W
SNR	>75dB
THD	<0.5%
Headphone output	9dBu, 8-32Ω, 3.5mm
Product Dimensions	84×80×145mm
Product Weight	0.75kg

NVS-DC800031CM

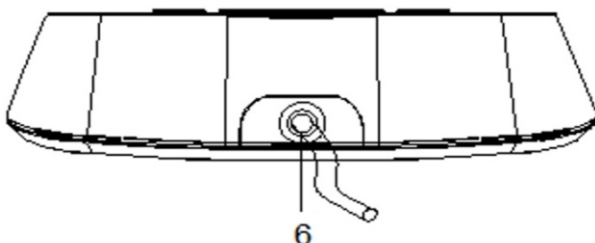
Network Chairman Microphone

FRONT PANEL



1. MIC Built-in Speaker
2. MIC Jack
3. Headset Jack
4. Volume Adjustment Button
5. MIC Button and Indicator

REAR PANEL



6. Dante Network:RJ45 Cable

ORDERING INFORMATION

Part Number	Description	Standard Quantity
NVS-DC800031CM	Network Chairman Microphone	01

ACCESSORIES INFORMATION

Description	Standard Quantity
Conference MIC	01
SY535 Wire/3000MM/8-pin Network Cable	01
Microphone Rod	01
D626C Microphone Cap	01
Certificate	01
Warranty Card	01
User Manual	01