

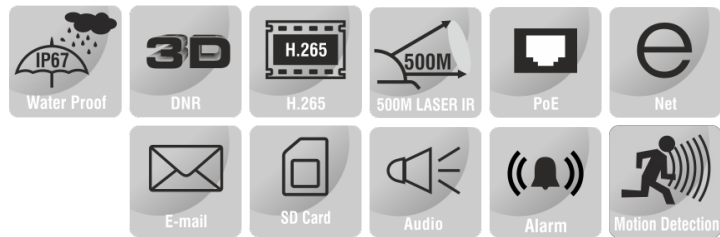
4MP HIGH SPEED DOME CAMERA



ENC-HHP7Z-500L-95

FEATURES

- Starlight Illumination
- 63x Optical Zoom
- 16x Digital Zoom
- Laser up to 500 m
- ONVIF Profile (S, G, T, M)
- Triple Stream
- Audio and Alarm Support
- PoE++, IP67



SPECIFICATION

MODEL		Model No.	ENC-HHP7Z-500L-95
CAMERA		Type	4MP HIGH SPEED DOME CAMERA
		Image Sensor	1/1.8" CMOS Progressive 4.0 MegaPixel
		Day / Night	IR Cut Filter with Auto Switch
		Lens Type	Motorized Zoom Lens
		Focal Length	5.7 ~ 359 mm
		Focus	Auto / Semi Auto / Manual
		Iris Type	Auto
		Angle of View (H)	60.0° ~ 1.54°
		Angle of View (V)	35.5° ~ 0.87°
		Angle of View (D)	69.7° ~ 1.76°
		Aperture Range	F1.6 ~ F5.0
		Optical Zoom	63x
		Digital Zoom	16x
		Zoom Speed	<7s
		Shutter	1s ~ 1/100,000s, Auto / Manual
		Min. Illumination	Color: 0.001 lux @ F1.6, B W: 0.0001 lux, 0 lux with IR on
AGC	Auto / Manual		
Digital Noise Reduction	2D & 3D DNR		
S/N Ratio	≥60 dB		
Defog	Smart Defog		
WDR	120 dB		
Laser IR	Up to 500 m		
Smart IR	300 m		
Wavelength	850 nm		
White LEDs	2		

★Product specification and availability are subject to change without notice.

4MP HIGH SPEED DOME CAMERA



ENC-HHP7Z-500L-95

MODEL	Model No.	ENC-HHP7Z-500L-95
	Type	4MP HIGH SPEED DOME CAMERA
VIDEO	Max. Resolution	2560x1440
	Video Compression	H.265+, H.265, H.264, MJPEG
	Frame Rate	Main Stream: (2560x1440, 2304x1296, 1920x1080, 1280x720) @ 25/30fps Sub Stream: (704x480, 704x240, 640x360, 352x240) @ 30fps, (704x576, 704x288, 640x360, 352x288) @ 25fps Third Stream: (704x480, 704x240, 640x480, 352x240) @ 30fps, (704x576, 704x288, 640x480, 352x288) @ 25fps
	Stream Settings	i-Frame, PAL/NTSC, Frame Rate, EIS, SVC
	Video Bit Rate	32Kbps ~ 16Mbps
	Bitrate Type	CBR, VBR
	Image Settings	Brightness, Contrast, Saturation, Hue, Sharpness, Flip/Rotation/Mirror, Gain, Exposure, Day/Night
	White Balance	Auto, Semi Auto, Sunshine, Daylight, Warm Light, Filament, Nature Light, Lock WB, Manual
	HLC	Supported
	BLC	Supported
	OSD	Up to 5 regions
	OSD Type	Title, Week, Date, Time, Text with different colors and adaptable sizes (16x16, 24x24, 32x32, 48x48, 64x64, 96x96), Image overlay
	ROI	Up to 7 regions
Privacy Mask	Up to 24 regions	
AUDIO	Audio Compression	G.711U, G.711A, ADPCM_D, AAC_LC
	Audio Bit Rate	8 kbps ~ 48 kbps
	Audio I/O	1/1
	Audio Voltage	Audio input, level 5V, input impedance 1500 ohms; Audio output, level 3V, output impedance 100 ohms
SMART	Behavior Detection	Intrusion (Perimeter), Crossline (Tripwire), Double Crossline (Double Tripwire)
	Intelligent Identification	Loitering, Abandoned Object (Object Left), Missing Object (Object Lost), Running, Parking
	Statistical Analysis	Face Capture, People Counting, Crowd Detection, On Duty Detection, Helmet Detection, Abnormal Video & Audio Detection, Heatmap, Intelligent Monitoring
	Alarm Management	Motion Detection, Tampering (Masking), Input & Output Event, IP & MAC Address Conflict, Disk Alarm (Full & RW Error), FTP Server Exception, Abnormal Voltage, Pre/Post Alarm Recording, Alarm Recording/Snapshot
	Alarm Notifications	HTTP, FTP, SD Card & Alarm Out (Event Notification/ Recording/ Snapshot upload through HTTP, FTP & SD Card)
	Auto Tracking	Supported
	Early Warning	Support Multi Levels with 30+ Voice Message Warning
	Laser Pointer	Supported
Flash Light Warning	Support 3 Light	
INTERFACE	Protocols	TCP/IP, UDP, IPv4, IPv6, ICMP, HTTP, HTTPS, FTP, DHCP, DNS, DDNS, RTP, RTSP, PPPoE, NTP, UPnP, SMTP, 802.1X, Unicast, Multicast, QoS, SNMP, SSL/TLS 1.2
	Security	AES Video Encryption, IP Filter, User authentication (multiple privilege level), 802.1X authentication (EAP-MD5), Digest authentication, User Access Log
	Compatibility	ONVIF Profile (S, G, T, M), SDK/API/CGI *Profile M will be available in updated version
	Network	1 x RJ45 10M/100M Self Adaptive Ethernet Port
	Alarm I/O	8 / 2
	Alarm Voltage	Input (switch type) , Output (3.3V-12V, 10 ohm)
	Serial Interface	1 x RS485
	BNC	Supported
	Edge Storage	SD card slot, up to 512 GB
	ANR	Supported
	Built-in Speaker	Supported
	Heater	Supported
	Fan	Supported
	Wiper	Supported
Max. User Access	32	
Client Application	EyeConnect	
Web Language	16	

★Product specification and availability are subject to change without notice.

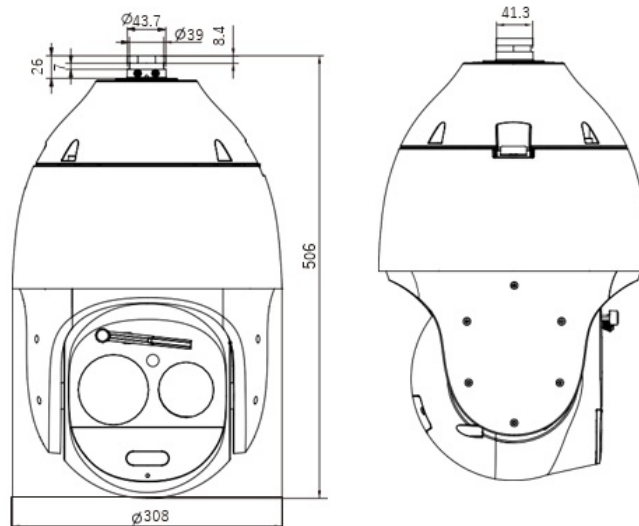
4MP HIGH SPEED DOME CAMERA



ENC-HHP7Z-500L-95

MODEL		ENC-HHP7Z-500L-95
Type		4MP HIGH SPEED DOME CAMERA
PAN AND TILT	Pan Range	0° ~ 360° (Endless)
	Pan Speed	Pan Manual Speed: 0.1° ~ 200°/s, Pan Preset Speed: 240°/s
	Tilt Range	-21° ~ +90° (Auto flip)
	Tilt Speed	Tilt Manual Speed: 0.1° ~ 180°/s, Tilt Preset Speed: 180°/s
	Preset Accuracy	±0.1°
	3D Position	Supported
	Cruise	16, up to 32 presets per cruise
	Scan	8
	Pattern	8, each with 600s memory or 1000 orders
	Number of Preset	500
GENERAL	Power off Recovery	Supported
	Power Supply	36V DC/PoE++(IEEE802.3 bt)
	Max. Power Consumption	37W (IR ON), 62W (IR OFF)
	Working Temperature	-40°C ~ 70°C
	Working Humidity	< 95% RH
	Ingress Protection	IP67
	Vandal Resistant	IK10(Housing)
	Surge Protection	TVS6000V
	Reset Button	Supported
	Dimensions	Φ308x506 mm
Net Weight	12.75 kg	

Dimension Unit : mm



★Product specification and availability are subject to change without notice.

4MP HIGH SPEED DOME CAMERA



ENC-HHP7Z-500L-95

ORDERING INFORMATION

Part Number	Description	Standard Quantity
ENC-HHP7Z-500L-95	4MP Starlight IR IP H.265 Early Warning High Speed PTZ Dome Camera with 63X Optical Zoom, SD Card Slot, WDR, Smart Analytics, Built-in Speaker, Wiper and 500m Laser Support	1
ENB-BTPW66	Eyenor Wall Mount Bracket for PTZ Camera (Included in Device Package)	1
ENB-BTPH66	Eyenor Outer Corner Bracket for PTZ Camera	1
ENB-BTPV66	Eyenor Pole Mount Bracket for PTZ Camera	1
ENB-BTPD66	Eyenor Connector for PTZ Camera	1
ENB-BTPJ66	Eyenor Junction Box for PTZ Camera	1

PACKING INFORMATION

Part Number	Packing Mode	Gross weight(Kg)	Dimension(mm)
ENC-HHP7Z-500L-95	Carton Box	-	-

★Product specification and availability are subject to change without notice.