

POE Outdoor Video Intercom



DESCRIPTION

The NVS-IP100031IC is a POE Outdoor Video Intercom, that has a robust anti-riot property and an aluminium alloy cast casing. It includes a wide-angle HD camera integrated in and supports video output in a variety of resolutions. It supports the standard ONVIF protocol and outputs video to external platforms for display. It has an interface for an amplifier output and one alarm output that can be connected to an alarm light and speaker. If Ethernet is available, the machine can access the crossover network segment and router supported by the standard RJ45 interface.

FEATURES

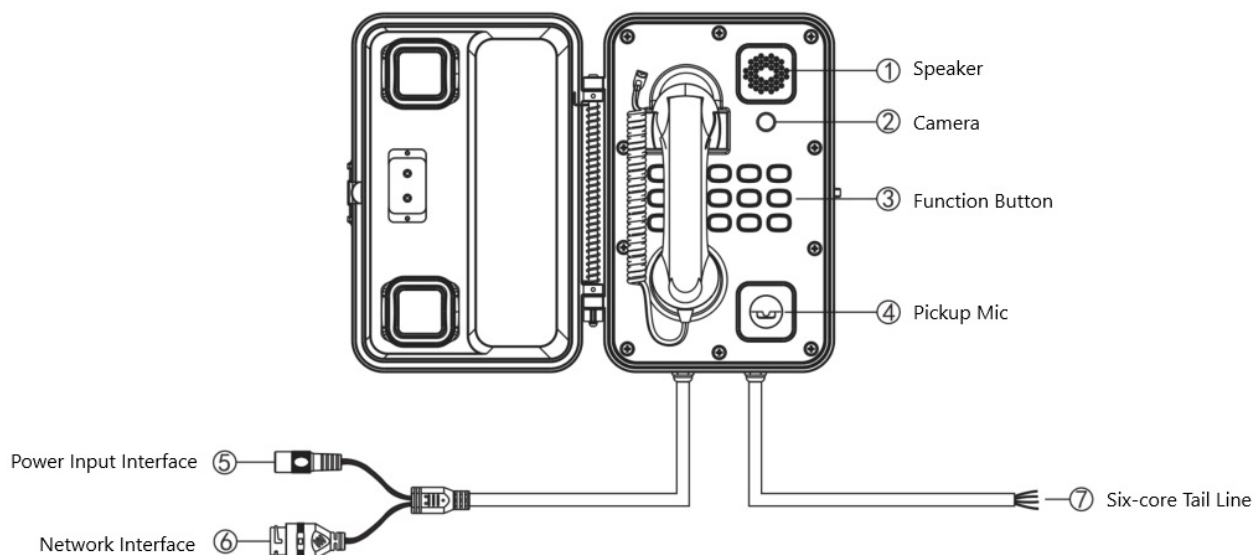
- ◉ Aluminium Alloy Casted Shell: Provides robust physical protection with strong anti-riot properties
- ◉ Automatic Door-Covering Function: Enhances security by automatically covering the door to prevent unauthorized access
- ◉ Numerical Keys for Full-Duplex Intercom: Enables convenient initiation of full-duplex intercom calls to any terminals
- ◉ Emergency Call Button: Facilitates quick communication during emergencies with a one-button call to pre-set terminals
- ◉ Offline Talking Support: Ensures continuous communication without requiring a server connection
- ◉ Wide-Angle HD Camera: Provides clear visuals with support for various video resolutions
- ◉ Initiating and Receiving Broadcast Function: Facilitates mass communication through broadcast messages
- ◉ Relay Output and Amplifier Interfaces: Allows connection to alarm lights and passive speakers for enhanced integration
- ◉ Standard RJ45 Interface: Enables access to the system via Ethernet, supporting crossing network segments and routers
- ◉ Supportive of PoE Power Supply: Simplifies installation by enabling power supply through Ethernet cables

Specifications	
Model	NVS-IP100031IC
Power Supply	DC 24V, 2.7A/PoE (IEEE 802.3af)
Standby Power Consumption	<40W
Power Output	2*30W/8Ω (DC), PoE not supported
Audio Codec	WAV, PCM, ADPCM
Audio Sampling & Bit Rate	8kHz~44.1kHz, 16bit, 8kbps~320kbps
Built-in Speaker	3W, 4Ω
Built-in Camera	3MP

POE Outdoor Video Intercom

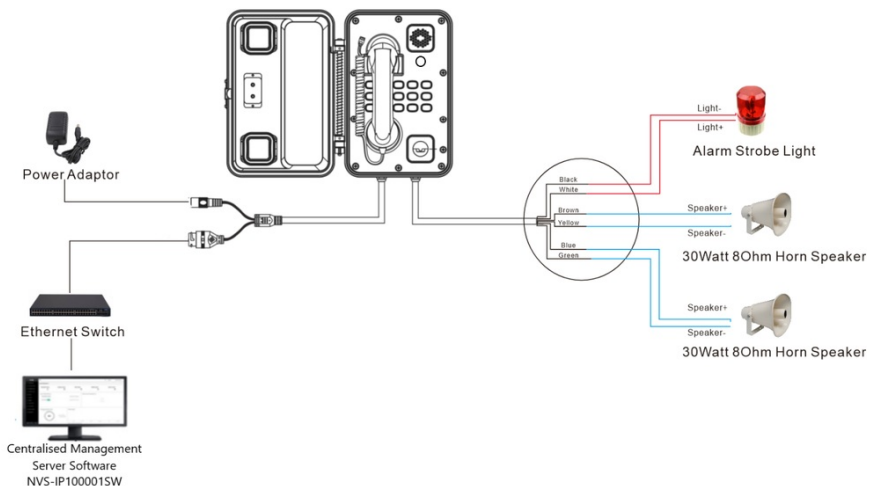
Video Coding	VGA/720P/1080P
Signal to Noise Ratio	≥93dB
Total Harmonic Distortion	<0.3% ,1kHz
Frequency Response	25Hz-15kHz
Antistatic Range	±6KV
Surge Resistant Voltage	±4KV
Handset Speaker	Moving Coil, 130Ω
Handset Microphone	Electret, 1.2KΩ
Network Interface	10BASE-T/100BASE-TX RJ45
Network Protocol	TCP/IP, UDP, ARP, ICMP, IGMP, SIP, HTTP
Configuration Method	Web Interface or DevConfig Tool
Installation Method	Rack Mount
Installation Environment	Outdoor Locations
Operating Temperature	-20°C~+60°C
Operating Humidity	≤90% RH (Non-Condensing)
Housing Material	Aluminium Alloy
Housing Surface Treatment Method	Powder Spraying
Colour	Yellow
Protection Level	IP66
Product Dimensions	346x241x125 mm
Product Weight	7.4 Kg

FRONT PANEL



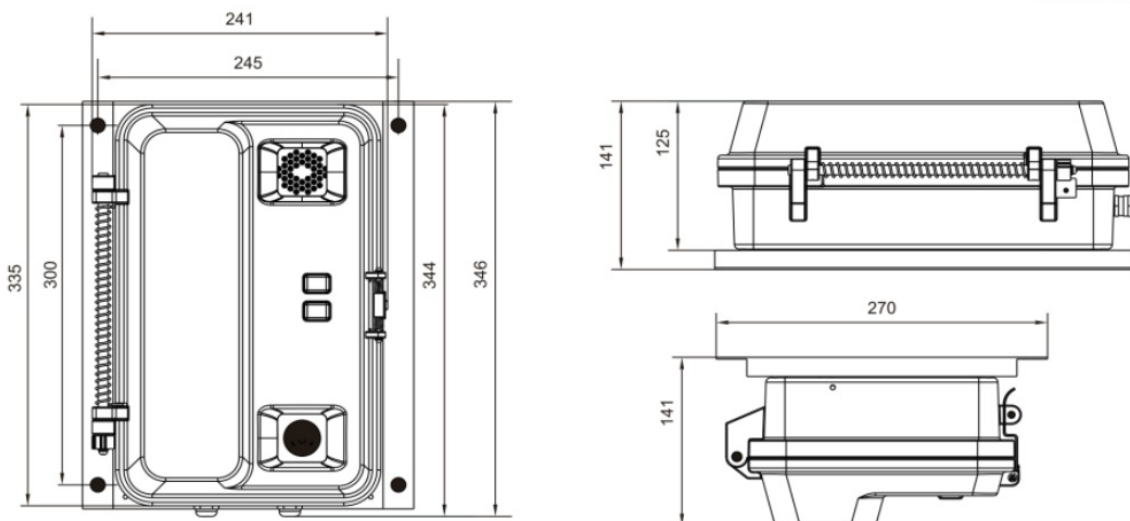
POE Outdoor Video Intercom

CONNECTION DIAGRAM



DIMENSION

Unit: mm



ORDERING INFORMATION

Part Number	Description	Standard Quantity
NVS-IP100031C	POE Outdoor Video Intercom	01

ACCESSORIES INFORMATION

Description	Standard Quantity
Waterproof Joint	01
Quick Installation Guide	01
Certificate of Quality and Warranty Card	01
Power Adaptor (DC 24V/2.7A)	01