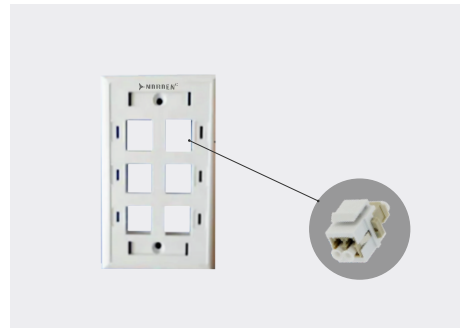


FIBRE ADAPTOR FACE PLATE

Norden fibre adaptor face plate has been designed for use in the installation of wall trunking, and back boxes. Faceplates are available with LC Duplex & SC simplex adapters in both multimode and single-mode options.



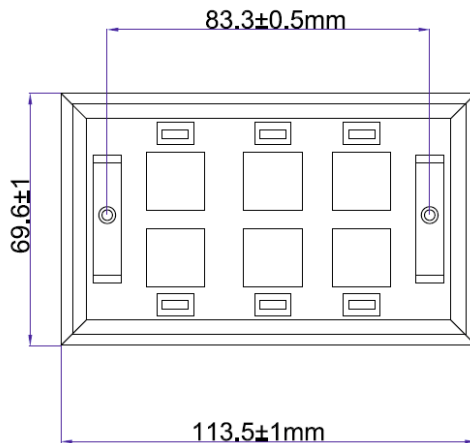
FEATURES

- Flat styles
- Comes with fixing screws
- Available in LC, SC single-mode and multimode adaptors
- Identification Tag

DESIGN & MATERIALS

Material	High Impact Thermoplastic (ABS) UL94V-0 fire retardant
Face Plate Type	Flat Type (Fibre adaptor Face Plate)
Dimension (mm)	69.6 X 113.5
Operating Temperature	-10°C to +60°C
Colour	White or other as per request

Drawing:



ORDERING INFORMATION

Part Number	Description
124-R9102X	2 Port LC Duplex Fibre Faceplate With Fibre Adaptor Clip
124-R9104X	4 Port LC Duplex Fibre Faceplate With Fibre Adaptor Clip
124-R9106X	6 Port LC Duplex Fibre Faceplate With Fibre Adaptor Clip
124-RA102X	2 Port SC Simplex Fibre Faceplate With Fibre Adaptor Clip
124-RA104X	4 Port SC Simplex Fibre Faceplate With Fibre Adaptor Clip
124-RA106X	6 Port SC Simplex Fibre Faceplate With Fibre Adaptor Clip