

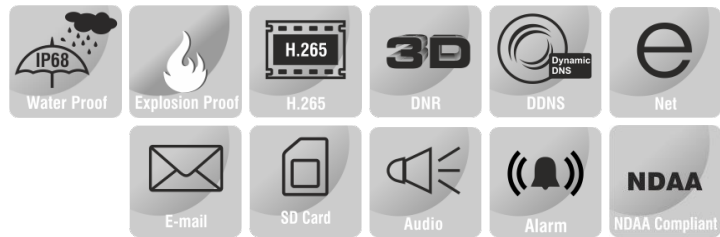
4MP EXPLOSION PROOF PTZ CAMERA



ENC-HPT7Z-30X-23

FEATURES

- 304 / 316L Stainless Steel Construction
- 30X Optical Zoom, 16X Digital Zoom
- ONVIF Profile (S, G, T)
- Quad Stream
- Audio and Alarm Support
- Wiper Support
- IP68
- ATEX/ IECEx/ CCoE (PESO) Certified



SPECIFICATION

| MODEL | Model No. | ENC-HPT7Z-30X-23 |
|-----------|-------------------------|---|
| | Type | 4MP EXPLOSION PROOF PTZ CAMERA |
| CAMERA | Image Sensor | 1/2.8" CMOS Progressive 4.0 MegaPixel |
| | Day / Night | IR Cut Filter with Auto Switch |
| | Lens Type | Motorized Lens |
| | Focal Length | 4.5 ~ 135 mm (Optional 4.3 ~ 129mm) Lens |
| | Focus | Auto / Semi Auto/ Manual |
| | Iris Type | DC Auto Iris |
| | Angle of View (H) | 60.2 ° ~ 2.2 ° (Optional 63.0 ° ~ 2.3 °) |
| | Angle of View (V) | 34.0 ° ~ 1.2 ° (Optional 37.0 ° ~ 1.3 °) |
| | Angle of View (D) | 69.1 ° ~ 2.5 ° (Optional 73.0 ° ~ 2.6 °) |
| | Aperture Range | F1.6 ~ F4.3 |
| | Optical Zoom | 30x |
| | Digital Zoom | 16x |
| | Shutter | 1s to 1/100,000s, Auto / Manual |
| | Min. Illumination | Color: 0.001 lux @ F1.6, 0 lux (External IR LED ON) |
| | AGC | Auto / Manual |
| | Digital Noise Reduction | 2D & 3D DNR, Auto / Manual |
| S/N Ratio | ≥55 dB | |
| Defog | Smart Defog | |
| WDR | 120 dB | |

4MP EXPLOSION PROOF PTZ CAMERA



ENC-HPT7Z-30X-23

| | | |
|---------------------|----------------------------|--|
| MODEL | Model No. | ENC-HPT7Z-30X-23 |
| | Type | 4MP EXPLOSION PROOF PTZ CAMERA |
| VIDEO | Max. Resolution | 2560x1440 |
| | Video Compression | H.265+, H.265, H.264, MJPEG |
| | Frame Rate | Main Stream: (2560x1440) @ 25/30fps, (1920x1080, 1280x720) @ 50/60fps Sub Stream: (1920x1080, 1280x720, 704x576) @ 25/30fps Third Stream: (640x480, 352x288, 320x240, 176x144) @ 25/30fps Fourth Stream: (640x480, 352x288, 320x240, 176x144) @ 25/30fps (Optional) |
| | Stream Settings | i-Frame, PAL/NTSC, Frame Rate, EIS, SVC |
| | Video Bit Rate | 10 kbps ~ 16 Mbps |
| | Bitrate Type | CBR, VBR |
| | Image Settings | Brightness, Contrast, Saturation, Sharpness, Day/Night (Color, Mono, Auto), Flip/Mirror/Rotation, Multiple Scene & Profile |
| | White Balance | Auto, Day / Night, Tungsten, Manual |
| | HLC | Supported |
| | BLC | Supported |
| | OSD | Supported |
| | ROI | Up to 8 regions |
| | Privacy Mask | Up to 40 regions (each scene up to 8) |
| AUDIO | Audio Compression | G.711U, G.711A, RAW_PCM |
| | Audio I/O | 1/1 |
| | Audio Bit Rate | 8 ~ 16 Kbps |
| SMART | Behavior Detection | Intrusion (Perimeter), Crossline (Tripwire), Double crossline (Double Tripwire) |
| | Intelligent Identification | Abandoned object (Object Left), Missing Object (Object Lost), Loitering, Multi Loitering |
| | Statistical Analysis | Face Detection , People Counting, Human & Vehicle Detection, Abnormal Video & Audio Detection, Wrong Way Detection, Illegal Parking, Tampering / Masking / Scene Change, Abnormal Speed |
| | Alarm Management | Motion Detection, Tampering (Masking), Input & Output Event, Network Alarm, Disk Alarm, Day Night Switch Alarm, Abnormal Audio Alarm, Pre/Post Alarm Recording, Alarm Recording/Snapshot |
| | Alarm Notifications | E-mail, HTTP, FTP, SD Card & Alarm Out (Event Notification/ Recording/ Snapshot upload through E-mail, HTTP, FTP & SD Card) |
| | Auto Tracking | Supported **Will be available in next FW version |
| INTERFACE | Protocols | TCP/IP, UDP, IPv4, IPv6, ICMP, HTTP, HTTPS, FTP, DHCP, DNS, DDNS, RTP, RTSP, RTCP, PPPoE, NTP, UPnP, SMTP , IGMP, 802.1X, Unicast, Multicast, QoS, ARP, SNMP, Telnet, SSL/TLS1.2 |
| | Security | TLS 128 Encryption, IP Filter, User Authentication (Multiple Privilege Level), 802.1X Authentication (EAP-MD5), HTTPS Authentication, RTSP Authentication, Digest Authentication, User Access Log |
| | Compatibility | ONVIF (S,G, T) , SDK, CGI |
| | Network | 1 x RJ45 10M/100M Self Adaptive Ethernet Port |
| | Alarm Interface | 1 Input / 1 Output |
| | Serial Interface | 1xRS485 |
| | Edge Storage | SD card slot, up to 256 GB |
| | ANR | Supported |
| | Built-in Heater | Supported |
| | Wiper | Supported |
| | Max. User | 32 |
| Client Application | EyeGuard | |
| PAN AND TILT | Pan Range | 360°(Endless) |
| | Pan Speed | Pan Manual Speed: 0.1°/s ~ 45°/s, Pan Preset Speed: 45°/s |
| | Tilt Range | -90 ~ +90° |
| | Tilt Speed | Tilt Manual Speed: 0.1°/s ~ 45°/s, Tilt Preset Speed: 45°/s |
| | Preset Accuracy | ±0.1° |
| | 3D Position | Supported |
| | Cruise Scan | Supported |
| | Tour | 12 (32 Preset per Tour) |
| | Pattern | 6 |
| | Preset | 255 |
| Resume function | Supported | |

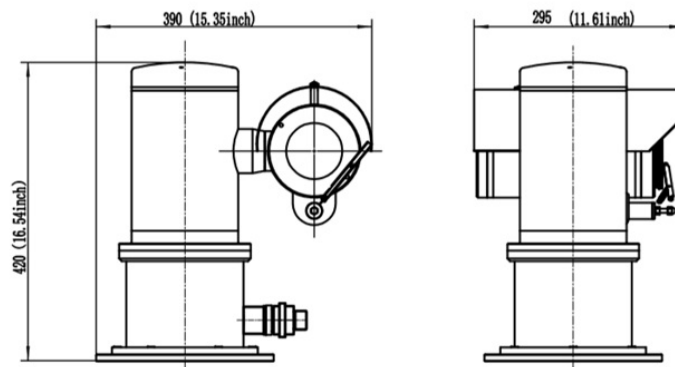
4MP EXPLOSION PROOF PTZ CAMERA



ENC-HPT7Z-30X-23

| MODEL | Model No. | ENC-HPT7Z-30X-23 |
|---------|----------------------|---|
| | Type | 4MP EXPLOSION PROOF PTZ CAMERA |
| GENERAL | Power Supply | AC 110V ~ 240V / 24V DC / 24V AC / PoE++ (802.3bt-Type 4) |
| | Power Consumption | Max. 75W (with thermostat) |
| | Working Temperature | -40°C ~ 70°C |
| | Working Humidity | 0-95% RH (non-condensing) |
| | Atmospheric pressure | 80 kPa ~ 120 kPa |
| | Window glass | Strong tempered glass |
| | Sun shade | Supported |
| | Ingress Protection | IP68 |
| | Vandal Resistant | IK10(Housing) |
| | Surge Protection | TVS6000V |
| | Reset Button | Supported |
| | Dimensions | 390x295x420 mm |
| | Net Weight | 40 kg |

Dimension Unit : mm



ORDERING INFORMATION

| Part Number | Description | Standard Quantity |
|------------------|---|-------------------|
| ENC-HPT7Z-30X-23 | 4MP SS316L (optional SS304) Explosion Proof IP PTZ Camera with 30X Optical Zoom, Wiper and SD Card Slot Support | 1 |
| ENB-BZPW68 | Wall Mount Bracket for Eyenor Explosion / Corrosion Proof PTZ Camera | 1 |
| ENB-BZPH68 | Corner Mount Bracket for Eyenor Explosion / Corrosion Proof PTZ Camera | 1 |
| ENB-BZPV68 | Pole Mount Bracket for Eyenor Explosion / Corrosion Proof PTZ Camera | 1 |
| ENA-EXH010 | 1 Meter Explosion / Corrosion Proof Hose for Eyenor Explosion / Corrosion Proof Camera | 1 |
| ENA-EXH015 | 1.5 Meter Explosion / Corrosion Proof Hose for Eyenor Explosion / Corrosion Proof Camera | 1 |
| ENA-EXH020 | 2 Meter Explosion / Corrosion Proof Hose for Eyenor Explosion / Corrosion Proof Camera | 1 |

PACKING INFORMATION

| Part Number | Packing Mode | Gross weight(Kg) | Dimension(mm) |
|------------------|--------------|------------------|---------------|
| ENC-HPT7Z-30X-23 | Carton Box | - | - |