

MECHANICAL SEAL VERTICAL FIBRE SPLICE CLOSURE

Fibre optic Mechanical Seal Vertical splice closures are an excellent protector of fibre optic joints from the outdoor environment such as UV, water, and weather with leakproof sealing having IP 68 protection. For easy splicing operation, closure consists of a well-managed no. of cable through and splice tray.



APPLICATION

- Suitable for Outside plant direct buried, underground, aerial and pedestal application.
- Suitable For Bunchy and Ribbon Fibres
- Inside building installation
- Fiber trunks and access network
- FTTx application for fiber distribution and drop

FEATURES

- IP68 Rated Protection.
- Made of high strength Polycarbonate.
- Easy and fast to fix Fibre Cable
- Fully mechanical – no heat shrinks.
- Perfect leak proof
- Fibre Optic Splice Trays are designed in Slide-IN-Lock (Opening Angle is about 90°)
- Full accessories are included for convenient operations.
- Fibre optic splice closure can be used repeatedly.
- Models Available are N450 (V1,V2,V3 & V4), N451 (V1,V2,V3,V4 &V5 Versions)

SPLICE CLOSURE SPECIFICATION:

Splice Closure Material	Polycarbonate
Closure External Dimension	N450 Series: 495 X 225 X188mm
	N451 Series: 510 X215 X 255mm
Operating Temperature	-40 °C to 65 °C

MODEL N450 SPECIFICATIONS:

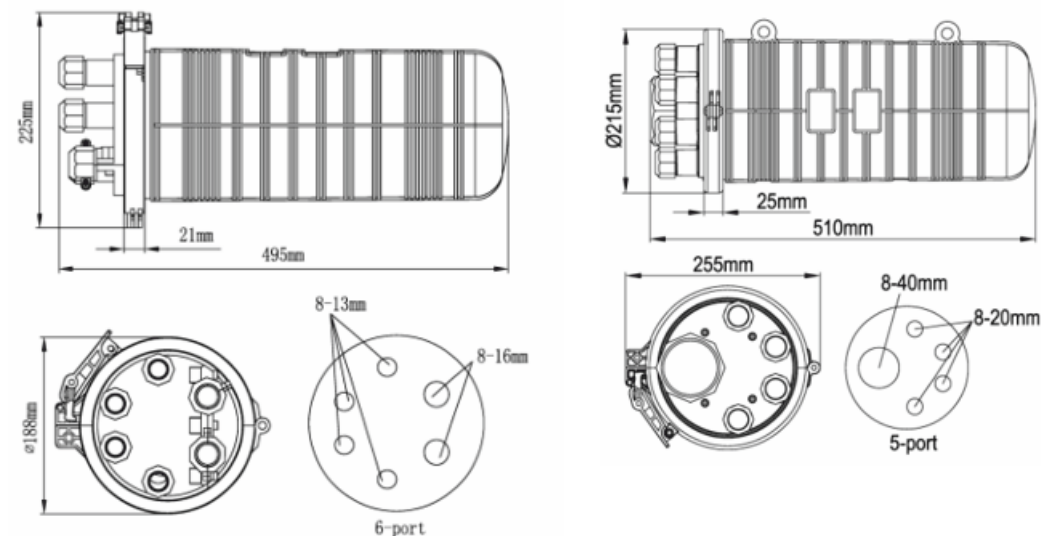
Model/Version Type	Fibres/Tray	Splice Trays Dimension	Max.Splice Tray Capacity	Suitable Cable Dia
N450-V1 (Bunchy)	12F	234 X 96 X7.5mm	120F	1 Oval Port: 16mm 4 Round Ports:13mm
N450-V2 (Bunchy)	12-24F	234 X 100 X11mm	144F	
N450-V3 (Bunchy)	24-48F	215 X140 X11mm	192F	
N450-V4 (Ribbon)	72F	205 X 96 X11mm	216F	

MECHANICAL SEAL VERTICAL FIBRE SPLICE CLOSURE

MODEL N451 SPECIFICATIONS:

Model/Version Type	Fibres/Tray	Splice Trays Dimension	Max.Splice Tray Capacity	Suitable Cable Dia
N451-V1 (Bunchy)	12F	234 X 96 X7.5mm	144F	1 Big round Port: 40mm 4 Small round Ports:20mm
N451-V2 (Bunchy)	12-24F	234 X 100 X11mm	144F	
N451-V3 (Bunchy)	26-72F	265 X125 X10mm	432F	
N451-V4 (Ribbon)	72F	273 X 135 X15mm	288F	
N451-V5 (Ribbon)	144F	273 X135 X15mm	576F	

DRAWING:



N450

N451

ACCESSORIES

Standard Accessories:

No	Items	Quantity
1	Seal Tape	1 roll
2	Abrasive cloth	1 pc
3	Nylon tie	1 Set
4	Earth Wire	1 pc
5	Protective Sleeve	1 set
6	Special Wrench	3 pcs

MECHANICAL SEAL VERTICAL FIBRE SPLICE CLOSURE

Optional Accessories:

No	Items	Quantity
1	Pressure Test Valve	1 pc
2	Earth deriving device	1 pc
3	Aerial Mounting Bracket	1 Set
4	Pole Mounting Bracket	1 pc
5	Wall mounting Bracket	1 set

ORDERING GUIDE:

Closure Model	Type of Version	No of Fibre Core	Number of Splice Trays (X)	Splice capacity /Splice Tray	Mounting Type	Valve for Flash Testing	Ground Feed-through Lugs
N450	1. N450 ↓ V1 (Bunchy/Max Capacity [120F]) V2 (Bunchy/Max Capacity [144F]) V3 (Bunchy/Max Capacity [192F]) V4 (Ribbon/Max Capacity [216F])	XXX	X: Splice Trays *X – No.of splice tray's according to no.of cores	1:12F 2:24F 3:48F	0: Direct Buried P: Pole Mounting W: Wall mounting A: Aerial Mounting	0 : None V : Valve	0 : None G : Ground Feed
N451	2. N451 ↓ V1 (Bunchy/Max Capacity [144F]) V2 (Bunchy/Max Capacity [144F]) V3 (Bunchy/Max Capacity [432F]) V4 (Ribbon/Max Capacity [144F]) V5 (Ribbon/Max Capacity [288F])						

Product Description Sample

N450 Series:

N450	1	V2	024	2	1	0	V	0	X
------	---	----	-----	---	---	---	---	---	---

N450-1V2024210V0X: 24 Core Mechanical seal Vertical Fibre Splice Closure, including 2 X 12F Splice Trays, Pressure Test valve, Direct Buried.

N450	1	V3	192	4	3	A	V	0	X
------	---	----	-----	---	---	---	---	---	---

N450-1V319243AV0X: 192 Core Mechanical Seal Vertical Fibre Splice Closure, including 4 X 48F Splice Trays, pressure Test valve, and Ground Feed Lugs With Aerial mount Bracket kit.

N451 Series:

N451	2	V3	432	9	3	0	V	G	X
------	---	----	-----	---	---	---	---	---	---

N451-2V3432930VGX: 432 Core Mechanical seal Vertical Fibre Splice Closure, including 9 X 48F Splice Trays pressure Test valve, Ground Feed Lugs, Direct Buried