

NVS-30160001MP



Wired Desktop Microphone

Microphone



DESCRIPTION

The NVS-30160001MP is a Wired Desktop Microphone with high precision touch switch button design. It can connect to the amplifier or pre-amplifier via line in port. It support 3.5mm audio output interface and one 6.5mm audio output interface.

FEATURES

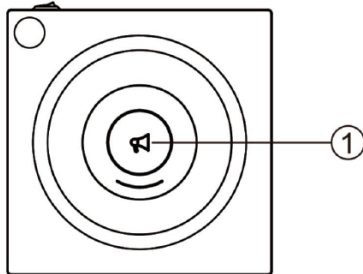
- ⦿ Broaden expansion interface
- ⦿ Sound volume indicator prompt
- ⦿ High-fidelity vocal distortion
- ⦿ High precision touch switch button design

Specifications

Model	NVS-30160001MP
Capsule Type	Condenser
Frequency Response	100Hz-16KHz
Signal to Noise Ratio	80dB
Sampling Rate	8KHz
Mounting Method	Desktop
Directivity	Cardioid
Operation Temperature	0°C-45°C
Power Supply	DC 12V, 1.5A
Power Consumption	≤3W
Dimension	144x144x34mm

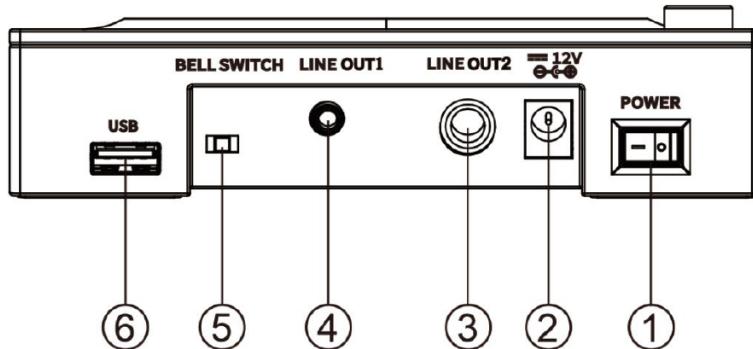
Wired Desktop Microphone

FRONT PANEL



1. Broadcast Button : Used to initiate broadcast
 Status Indicator : Indicates the terminal status.
 The specific meanings are as follows,
 Steady Red : Idle
 Steady Green : Broadcasting

REAR PANEL



1. Power Switch : Press "0" to turn off the power, press "-" to turn on the power.
2. Power Input Interface : Connect DC 12V/1.5A power supply
3. Audio Output Interface : Connect 6.5mm audio cable
4. Audio Output Interface : Connect 3.5mm audio cable
5. Prompt Tone Switch : Set whether to enable broadcast prompt tone
6. USB Port : Reserved

CONNECTION DIAGRAM

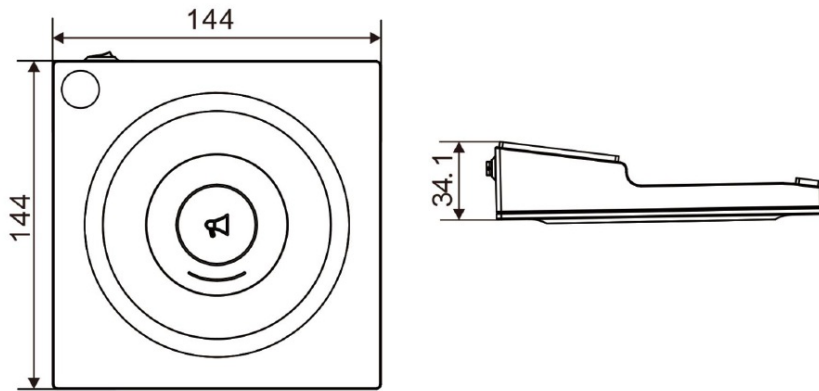


NVS-30160001MP



Wired Desktop Microphone

DIMENSION



ORDERING INFORMATION

Part Number	Description	Standard Quantity
NVS-30160001MP	Wired Desktop Microphone	01