

4MP EXPLOSION PROOF THERMAL PTZ CAMERA **EYENOR**[®]

ENC-HPT7Z-180R-23

FEATURES

- 304 / 316L Stainless Steel Construction
- 640x512/ 400x300 Thermal Resolution
- 30X Optical Zoom
- ONVIF Profile (S, G, T)
- Triple Stream
- Audio and Alarm Support
- Wiper Support
- ATEX Certified
- IP68



SPECIFICATION

MODEL	Model No.	ENC-HPT7Z-180R-23												
THERMAL CAMERA	Type	4MP EXPLOSION PROOF THERMAL PTZ CAMERA												
	Detector Type	Uncooled VOx Focal Plane Arrays												
	Effective Pixels	640x512 and Image can be scaled up to 1280x1024 400x300 and Image can be scaled up to 704x576												
	Pixel Size	12um (640x512) / 17um (400x300)												
	Thermal Sensitivity (NETD)	≤40 mK												
	Spectral Range	8~14um												
	Image Setting	Brightness, Sharpness, Contrast, Mirror, 3D DNR, Mirror / Flip, FFC												
	Color Palettes	White & Black Hot, Ironbow, Rainbow etc. up to 17 modes												
	Iris	Auto Fixed IRIS												
	DVE Image Enhance	Supported												
THERMAL LENS	Lens	Fixed												
	Focus Control	Motorized Focus												
	Focal Length	25/50/75/100 mm												
	Frame Rate	640x512 Main Stream: (1280x1024, 1280x720, 640x512) @ 25/30fps Sub Stream: (D1, CIF) @ 25/30fps 400x300 Main Stream: (704x576) @ 25/30fps Sub Stream: (CIF) @ 25/30fps												
	Video Bit Rate	640x512: 100kbps ~ 8 Mbps 400x300 :10 kbps ~ 6 Mbps												
	F No.	1.0												
	Angle of View (640x512)	25mm	50mm	75mm	100mm									
		17.0°(H), 14.0°(V)	8.0°(H), 7.0°(V)	6.0°(H), 5.0°(V)	4.3°(H), 3.5°(V)									
	Thermal imaging	Object	Human(1.8mx0.5m)				Vehicle(4mx1.5m)				Fire(1mx1m)			
		Lens (mm)	25	50	75	100	25	50	75	100	25	50	75	100
Detection(m)		1040	2081	3121	4161	3194	6389	9583	12778	1042	2083	3125	4167	
Recognition(m)		260	520	780	1040	799	1597	2396	3194	347	694	1042	1389	
Identification(m)		130	260	390	520	399	799	1198	1597	174	347	521	694	

4MP EXPLOSION PROOF THERMAL PTZ CAMERA

ENC-HPT7Z-180R-23

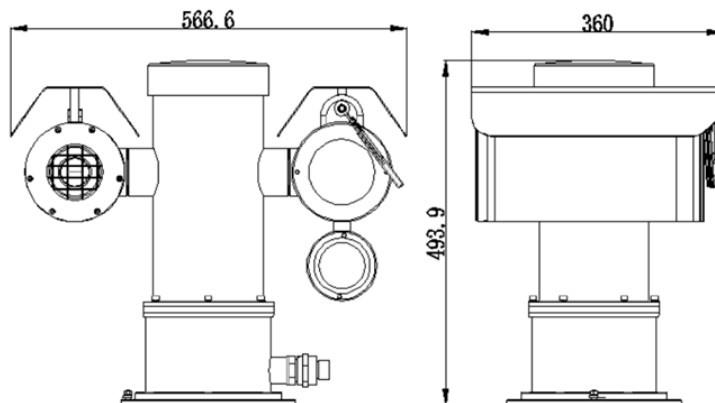
MODEL	Model No.	ENC-HPT7Z-180R-23												
	Type	4MP EXPLOSION PROOF THERMAL PTZ CAMERA												
THERMAL LENS	Angle of View (400x300)	25mm	50mm	75mm	100mm									
		15.4°(H), 11.6°(V)	7.7°(H), 5.8°(V)	5.1°(H), 3.8°(V)	3.8°(H), 2.3°(V)									
	Thermal imaging	Object	Human(1.8mx0.5m)				Vehicle(4mx1.5m)				Fire(1mx1m)			
		Lens (mm)	25	50	75	100	25	50	75	100	25	50	75	100
		Detection(m)	735	1471	2206	2941	2255	4510	6765	9020	735	1471	2206	2941
Recognition(m)		184	368	551	735	564	1127	1691	2255	245	490	735	980	
	Identification(m)	92	184	275	367	282	564	846	1127	123	245	368	490	
VISIBLE CAMERA	Image Sensor	1/2.8" CMOS Progressive 4.0 MegaPixel												
	Day / Night	IR Cut Filter with Auto Switch												
	Lens Type	Motorized Lens												
	Focal Length	5 ~ 150 mm (Optional 4.5 ~ 135 mm)												
	Focus	Auto / Semi Auto / Manual												
	Iris Type	DC Auto Iris												
	Angle of View (H)	55.0°~2.3° (Optional 60.7°~2.2°)												
	Angle of View (V)	41.6°~1.7° (Optional 35.7°~1.2°)												
	Aperture Range	F1.6 ~ F4.3												
	Optical Zoom	30x												
	Digital Zoom	16x												
	Shutter	1s - 1/100,000s, Auto/Manual												
	Min. Illumination	Color: 0.001 lux @ F1.6, B/W: 0 lux with IR												
	AGC	Auto / Manual												
	Digital Noise Reduction	2D & 3D DNR, Auto / Manual												
S/N Ratio	≥55 dB													
Defog	Smart Defog													
WDR	120 dB													
Smart IR	180 m (Upgradable to 200 m)													
VIDEO	Max. Resolution	2592x1520												
	Video Compression	H.265+, H.265, H.264, MJPEG												
	Frame Rate	Main Stream: (2592x1520, 2560x1440, 2304x1296, 1920x1080, 1280x720) @ 25/30fps Sub Stream: (D1, VGA, 640x360, CIF, QVGA) @ 25/30fps Third Stream: (VGA, CIF, QVGA) @ 25/30fps												
	Stream Settings	i-Frame, PAL/NTSC, Frame Rate, EIS, SVC												
	Video Bit Rate	10 kbps ~ 16 Mbps												
	Bitrate Type	CBR, VBR												
	Image Settings	Brightness, Contrast, Saturation, Sharpness, Day/Night (Color, Mono, Auto), Flip/Mirror/Rotation, Multiple Scene & Profile Auto, Day/Night, Tungsten, Manual												
	White Balance	Auto, Day / Night, Tungsten, Manual												
	HLC	Supported												
	BLC	Supported												
	OSD	Supported												
	ROI	Up to 8 regions												
Privacy Mask	Up to 4 regions													
AUDIO	Audio Compression	G.711U, G.711A, RAW_PCM												
	Audio I/O	1/1												
	Audio Bit Rate	8 ~ 16 Kbps												
SMART	Behavior Detection	Intrusion (Perimeter), Crossline (Tripwire), Double crossline (Double Tripwire)												
	Intelligent Identification	Abandoned object (Object Left), Missing Object (Object Lost), Loitering, Multi Loitering												
	Statistical Analysis	Face Detection , People Counting, Human & Vehicle Detection, Abnormal Video & Audio Detection, Wrong Way Detection, Illegal Parking, Tampering / Masking / Scene Change, Abnormal Speed												
	Alarm Management	Motion Detection, Tampering (Masking), Input & Output Event, Network Alarm, Disk Alarm, Day Night Switch Alarm, Abnormal Audio Alarm, Pre/Post Alarm Recording, Alarm Recording/Snapshot												
	Alarm Notifications	E-mail, HTTP, FTP, SD Card & Alarm Out (Event Notification/ Recording/ Snapshot upload through E-mail, HTTP, FTP & SD Card)												
Auto Tracking	Supported **Will be available in next FW version													
TEMPERATURE	Detection Mode	Spot, Line, Area												
	Alarm	Over/Difference Alarm												
	Accuracy	±2°C / ±2%												
	Response Time	≤30ms												
	Measurement range	Up to 900 °C (±0.2°C accuracy up to 15M and ±15-20% accuracy up to 50M)												
Display mode	Temperature target > 5°C, Display absolute temperature value; Temperature target ≤ 5°C, Display relative temperature value (Temperature difference DEV = highest value - average)													

4MP EXPLOSION PROOF THERMAL PTZ CAMERA **EYENOR**[®]

ENC-HPT7Z-180R-23

MODEL	
Model No.	ENC-HPT7Z-180R-23
Type	4MP EXPLOSION PROOF THERMAL PTZ CAMERA
INTERFACE	
Protocols	TCP/IP, UDP, IPv4, IPv6, ICMP, HTTP, HTTPS, FTP, DHCP, DNS, DDNS, RTP, RTSP, RTCP, PPPoE, NTP, UPnP, SMTP, IGMP, 802.1X, Unicast, Multicast, QoS, ARP, SNMP, Telnet, SSL/TLS1.2
Security	TLS Video Encryption, IP Filter, User Authentication (Multiple Privilege Level), 802.1X Authentication (EAP-MD5), HTTPS Authentication, RTSP Authentication, Digest Authentication, User Access Log
Compatibility	ONVIF (S, G, T), SDK, CGI
Network	1 x RJ45 10M/100M Self Adaptive Ethernet Port
Alarm Interface	1 Input / 1 Output
Serial Interface	1xRS485
Edge Storage	SD card slot, up to 256 GB
ANR	Supported
Built-in Heater	Supported(Optional)
Wiper	Supported
Max. User	32
Client Application	EyeGuard
PAN AND TILT	
Pan Range	360°
Pan Speed	Pan Manual Speed: 0.1°/s ~ 45°/s, Pan Preset Speed: 45°/s
Tilt Range	-90 ~ +90°
Tilt Speed	Tilt Manual Speed: 0.1°/s ~ 45°/s, Tilt Preset Speed: 45°/s
Preset Accuracy	±0.1°
Cruise Scan	Supported
Keep watch	Supported
Preset	300
Resume function	Supported
Auto Cruise	Supported
Auto Scan	Supported
GENERAL	
Power Supply	AC 110 ~ 240V (Default) / AC 24V / DC 24V / PoE++ (IEEE 802.3bt-Type 4)
Power Consumption	Max. 70W (with thermostat)
Working Temperature	-40°C ~ 70°C
Working Humidity	0-95% RH (non-condensing)
Atmospheric pressure	80 kPa ~ 110 kPa
Window glass	Strong tempered glass
Sun shade	Supported
Ingress Protection	IP68 (2meter / 2hour)
Vandal Resistant	IK10(Housing)
Surge Protection	TVS6000V
Reset Button	Supported
Dimensions	567x360x494 mm
Net Weight	50 kg

Dimension Unit : mm



4MP EXPLOSION PROOF THERMAL PTZ CAMERA

ENC-HPT7Z-180R-23

MODEL	Model No.	ENC-HPT7Z-180R-23
	Type	4MP EXPLOSION PROOF THERMAL PTZ CAMERA

ORDERING INFORMATION

Part Number	Description	Standard Quantity
ENC-HPT7Z-180R-23	4MP SS316L (optional SS304) Explosion-proof IP Thermal PTZ camera with 640*512 (400*300) Optional Thermal Resolution, 25mm (optional 50, 75, 100mm) Motorized Focus Thermal Lens , 30X Visible Optical Zoom, 180m IR (Upgradable to 200m), Wiper and SD card slot Support	1
ENB-BZPW68	Wall Mount Bracket for Eyenor Explosion / Corrosion Proof PTZ Camera	1
ENB-BZPH68	Corner Mount Bracket for Eyenor Explosion / Corrosion Proof PTZ Camera	1
ENB-BZPV68	Pole Mount Bracket for Eyenor Explosion / Corrosion Proof PTZ Camera	1
ENA-EXH010	1 Meter Explosion / Corrosion Proof Hose for Eyenor Explosion / Corrosion Proof Camera	1
ENA-EXH015	1.5 Meter Explosion / Corrosion Proof Hose for Eyenor Explosion / Corrosion Proof Camera	1
ENA-EXH020	2 Meter Explosion / Corrosion Proof Hose for Eyenor Explosion / Corrosion Proof Camera	1

PACKING INFORMATION

Part Number	Packing Mode	Gross weight(Kg)	Dimension(mm)
ENC-HPT7Z-180R-23	Carton Box	-	-