

NVS-DC800062CM



Delegate Microphone with Voting Function

Microphone



DESCRIPTION

The NVS-DC800062CM is a Delegate Microphone with Voting Function integrated speaking and voting. It is equipped with electret cardioid directional capacitive pickup with two-color indicator light (red/green), red for speaking, and green for applying for speaking. The mic is powered by the system host or PoE switch, with input voltage of +48V.

FEATURES

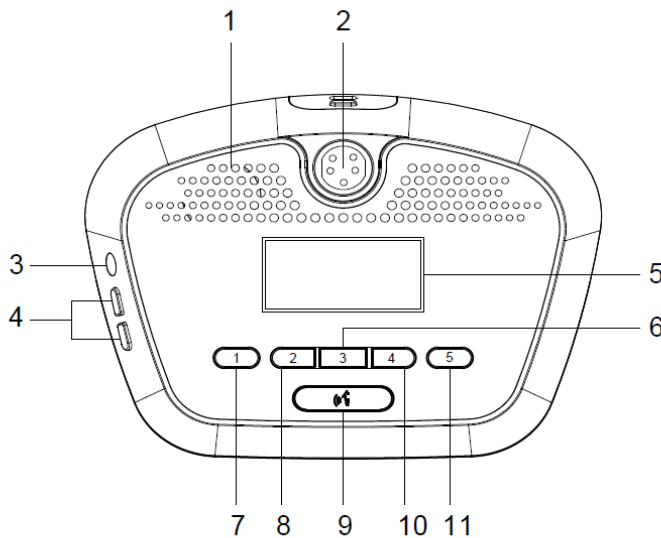
- Conference speech mic integrating speaking and voting
- 3.5mm stereo headset jack connected to the headphone, with adjustable volume
- Super strong anti-interference ability
- Button check-in function
- Unique ID number for each conference mic
- High-brightness 2.4" LCD screen
- MIC has a self-test function
- With internal magnetic high-fidelity speaker

Specifications	
Model	NVS-DC800062CM
Microphone Type	Electret cardioid condenser
Sensitivity	-30dBV/pa
Maximum SPL	125dB (THD<3%)
Input Impedance	2KΩ

Delegate Microphone with Voting Function

Equivalent Noise	20dB (SPL)
Frequency Response	MIC A to MIC B : 50Hz-14kHz
	Host LINE to MIC : 30Hz-18kHz
	MIC to Host LINE : 40Hz-16kHz
Signal to Noise Ratio	>75dB
Total Harmonic Distortion	<0.5%
Crosstalk Attenuation	>80dB
Headset Output	9dBu, 8-35Ω, 3.5mm
Speaker Power	1.5W
Power Supply (Battery)	Host +48V power supply or +48V PoE switch
Static Power Consumption	<8W
Maximum Power Consumption	5W
Weight	0.75Kg
Dimension	84x80x145mm

FRONT PANEL



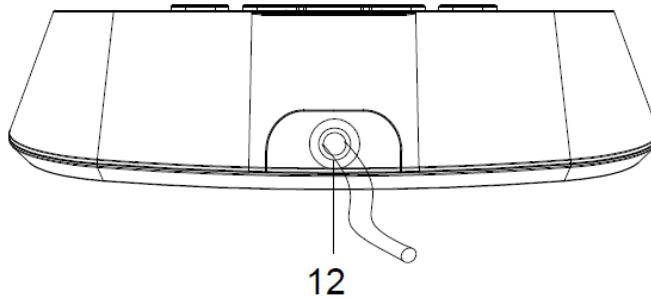
1. MIC built-in server
2. MIC jack
3. Headset jack
4. Volume adjustment button
5. 2.4" LCD high-brightness LCD screen
6. Button "1" - Used with the PC software for rating operation
7. Button "2" - Used to select display language and vote
8. Button "3" - Used to check microphone status, vote and select display language
9. Button "4" - Used to select display language , vote and return
10. Button "5" - Used to end a voting/return.
11. MIC button and indicator

NVS-DC800062CM



Delegate Microphone with Voting Function

REAR PANEL



12. Dante Network : RJ45 cable

ORDERING INFORMATION

Part Number	Description	Standard Quantity
NVS-DC800062CM	Delegate Microphone with Voting Function	01