

NVS-DC800052CM



## Chairman Microphone with Voting Function

Microphone



### DESCRIPTION

The NVS-DC800052CM is a Chairman Microphone with Voting Function integrated speaking and voting. It is equipped with electret cardioid directional capacitive pickup with two-color indicator light (red/green), red for speaking, and green for applying for speaking. The mic is powered by the system host or PoE switch, with input voltage of +48V. It has the priority function (can mute or turn off all delegate mics), and the podium mode (the chairman mic is always on).

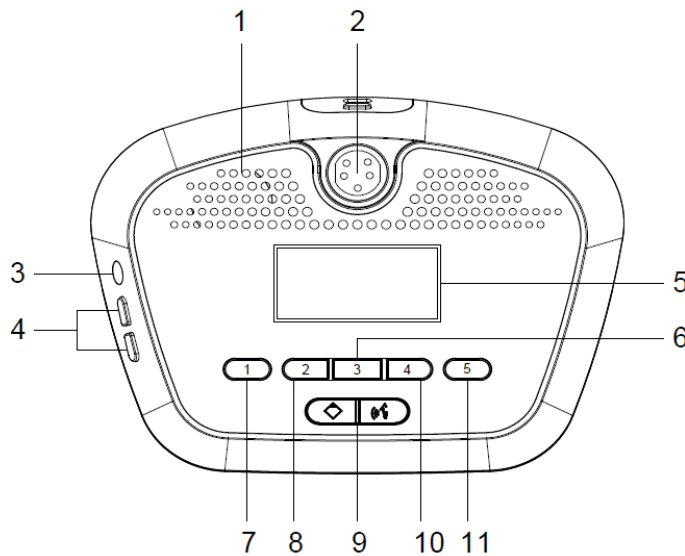
### FEATURES

- ⦿ Conference speech mic integrating speaking and voting
- ⦿ 3.5mm stereo headset jack connected to the headphone, with adjustable volume
- ⦿ Super strong anti-interference ability
- ⦿ Button check-in function
- ⦿ Unique ID number for each conference mic
- ⦿ High-brightness 2.4" LCD screen
- ⦿ Mic has a self-test function
- ⦿ Permission to approve the application for speaking from the delegate mic
- ⦿ Priority function of fully controlling the conference order
- ⦿ Connection position of the chairman mic is not restricted
- ⦿ With internal magnetic high-fidelity speaker

# Chairman Microphone with Voting Function

Specifications	
Model	NVS-DC800052CM
Microphone Type	Electret cardioid condenser
Sensitivity	-30dBV/pa
Maximum SPL	125dB (THD<3%)
Input Impedance	2KΩ
Equivalent Noise	20dB (SPL)
Frequency Response	MIC A to MIC B : 50Hz-14kHz
	Host LINE to MIC : 30Hz-18kHz
	MIC to Host LINE : 40Hz-16kHz
Signal to Noise Ratio	>75dB
Total Harmonic Distortion	<0.5%
Crosstalk Attenuation	>80dB
Headset Output	9dBu, 8-35Ω, 3.5mm
Speaker Power	1.5W
Power Supply (Battery)	Host +48V power supply or +48V PoE switch
Static Power Consumption	<8W
Maximum Power Consumption	5W
Weight	0.75Kg
Dimension	84x80x145mm

## FRONT PANEL



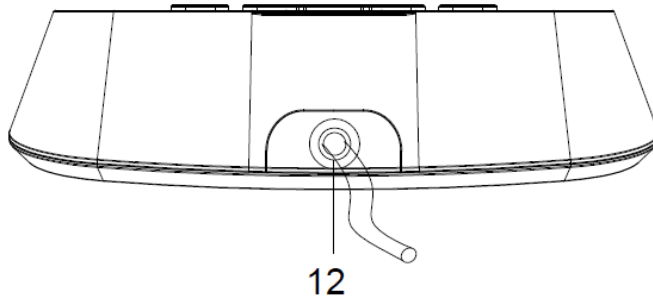
1. MIC Built-in speaker
2. MIC Jack
3. Headset Jack
4. Volume Adjustment Button
5. 2.4" LCD High-brightness LCD screen
6. Button "1" - Used with the PC software for rating operation
7. Button "2" - Used to select display language and vote
8. Button "3" - Used to check microphone status, vote, and select display language
9. Button "4" - Used to select display language, vote, and return
10. Button "5" - Used to end a voting/return
11. MIC button and Indicator

NVS-DC800052CM



# Chairman Microphone with Voting Function

## REAR PANEL



12. Dante Network : RJ45 cable

## ORDERING INFORMATION

Part Number	Description	Standard Quantity
NVS-DC800052CM	Chairman Microphone with Voting Function	01