

# POLE MOUNT BRACKET FOR BULLET CAMERA



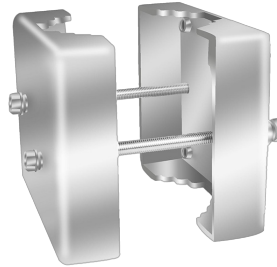
## ENB-BZUV68

### FEATURES

304 / 316L Stainless Steel Construction

Max. Load Support up to 100kg

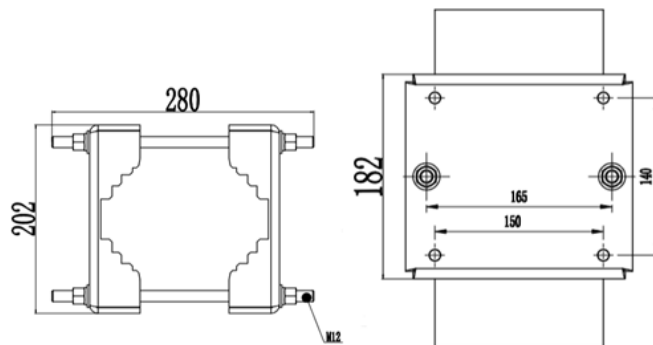
Pole Mount Bracket for Explosion / Corrosion Proof Camera



### SPECIFICATION

|         |                   |                                      |
|---------|-------------------|--------------------------------------|
| MODEL   | Model No.         | ENB-BZUV68                           |
|         | Type              | POLE MOUNT BRACKET FOR BULLET CAMERA |
| GENERAL | Construction      | 304 / 316L Stainless Steel           |
|         | Max. Load Support | 100 kg                               |
|         | Dimensions        | 280 x 182 x 202 mm                   |
|         | Weight            | 6.6 Kg                               |

Dimension Unit : mm



### ORDERING INFORMATION

| Part Number | Description   | Standard Quantity |
|-------------|---|-------------------|
| ENB-BZUV68  | Pole Mount Bracket for Norden Explosion / Corrosion Proof Bullet Camera | 1                 |

### PACKING INFORMATION

| Part Number | Packing Mode | Gross weight(Kg) | Dimension(mm) |
|-------------|--------------|------------------|---------------|
| ENB-BZUV68  | Carton Box   | -                | -             |

★Product specification and availability are subject to change without notice.

►NORDEN® I POLE MOUNT BRACKET FOR BULLET CAMERA - GB - Version: 2.1

www.nordencommunication.com