

HOUSING FOR BOX CAMERA



ENH-BAA6650R

FEATURES

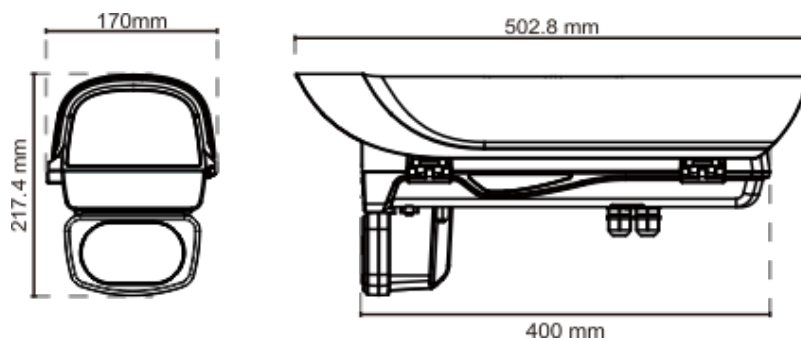
Durable Anti-Corrosive Material
Sunshade support
Compatible with Eyenor Box Camera
Built-in Temperature Control Module
Built-in Heater and Fan
Day / Night Switch Adjustable
IP66



SPECIFICATION

MODEL	Model No.	ENH-BAA6650R
	Type	HOUSING FOR BOX CAMERA
	Application	Indoor / Outdoor (Including Sunshade, Heater, Fan)
	Ingress Protection	IP66
	Vandal Proof	IK10
	Power supply	24V AC (Optional 24V DC)
	Power Consumption	26W
	Beam Angle	25°
	IR Distance	50m
	Power (adjustable)	Heater: 10W, Fan: 2W, IR LED: 6W
	Working Temperature	-40°C ~ 60°C
	Working Humidity	5% ~ 90% (non-condensing)
	Working conditions of temperature control module	Heater on: <30°C Heater ON Fan on: >30°C Blower ON
	Material	Shell: Aluminum Diecast Alloy Sun shade: Plastic Glass: Tamper Glass
	Dimensions (L × W × H)	502.8 x 170 x 217.4 mm
	Net Weight	2.90 kg

Dimension Unit : mm



HOUSING FOR BOX CAMERA



ENH-BAA6650R

ORDERING INFORMATION

Part Number	Description	Standard Quantity
ENH-BAA6650R	Aluminium Housing for Box Camera with IP66 rating with 50meter IR Support	1
ENB-BAHW66	Wall Mount Bracket for Housing	1
ENB-BAHC66	Ceiling Mount Bracket for Housing	1
ENB-BAHS66	Standing Mount Bracket for Housing	1

PACKING INFORMATION

Part Number	Packing Mode	Gross weight(Kg)	Dimension(mm)
ENH-BAA6650R	Carton Box	-	-