

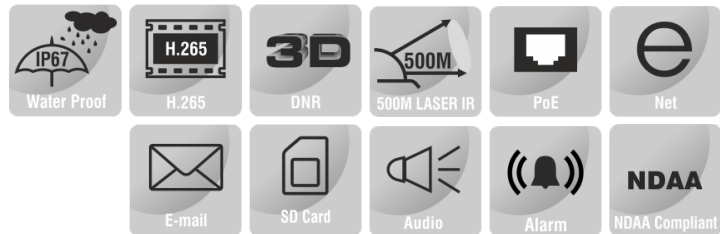
4MP HIGH SPEED PTZ DOME CAMERA



ENC-HHP7Z-500L-70

FEATURES

- 45X Optical Zoom
- 16X Digital Zoom
- 500 m Laser Support
- ONVIF Profile (S, G, T)
- Quad Stream
- Audio and Alarm Support
- PoE++, IP67



SPECIFICATION

MODEL	Model No.	ENC-HHP7Z-500L-70
CAMERA	Type	4MP HIGH SPEED PTZ DOME CAMERA
	Image Sensor	1/1.8" CMOS Progressive 4.0 MegaPixel
	Day / Night	IR Cut Filter with Auto Switch
	Lens Type	Motorized Zoom Lens
	Focal Length	6 ~ 270 mm Lens (optional 5 ~ 225 mm Lens)
	Iris Type	P Iris (Optional DC Auto Iris), Auto/ Manual
	Angle of View (H)	61.8° ~ 1.5° (optional 71.4° ~ 1.8°)
	Angle of View (V)	36.3° ~ 0.8° (optional 42.0° ~ 1.0°)
	Angle of View (D)	71.6° ~ 1.7° (optional 82.8° ~ 2.0°)
	Max Aperture	F1.5 ~ F4.2
	Optical Zoom	45X
	Digital Zoom	16X
	Zoom Speed	<4s
	Shutter	1s ~ 1/100,000s, Auto / Manual
	Min. Illumination	Color: 0.001 lux @ F1.5, BW: 0.0001; 0 lux with IR
	AGC	Auto / Manual
	Digital Noise Reduction	2D & 3D DNR, Auto / Manual
	S/N Ratio	≥55 dB
Defog	Supported	
WDR	120 dB	
Laser	Up to 500 m	
Wavelength	850 nm	

4MP HIGH SPEED PTZ DOME CAMERA



ENC-HHP7Z-500L-70

MODEL	Model No.	ENC-HHP7Z-500L-70
	Type	4MP HIGH SPEED PTZ DOME CAMERA
VIDEO	Max. Resolution	2592x1520
	Video Compression	H.265+, H.265, H.264, MJPEG
	Frame Rate	Main Stream: (2592x1520) @25/30fps, (1920x1080, 1280x720) @ 50/60fps Sub Stream: (1920x1080, 1280x720, 704x576) @ 25/30fps Third Stream: (640x480, 352x288, 320x240, 176x144) @ 25/30fps Fourth Stream: (640x480, 352x288, 320x240, 176x144) @ 25/30fps (Optional)
	Stream Settings	i-Frame, PAL/NTSC, Frame Rate, SVC, EIS
	Video Bit Rate	100 kbps ~ 12 Mbps
	Bitrate Type	CBR, VBR
	Image Settings	Brightness, Contrast, Saturation, Sharpness, Day/Night (Color, Mono, Auto), Flip/Mirror/Rotation, Multiple Scene & Profile
	White Balance	Auto, Day/Night, Tungsten, Manual
	HLC	Supported
	BLC	Supported
	OSD	Up to 8 regions
	OSD Type	Title, Week, Date, Time, Text with different colors and adaptable sizes , Image overlay
	ROI	Up to 8 regions
	Privacy Mask	Up to 40 regions (each scene up to 8)
AUDIO	Audio Compression	G.711 U, G.711A
	Audio Bit Rate	8 kbps
	Audio I/O	1/1
SMART	Behavior Detection	Intrusion (Perimeter), Crossline (Tripwire), Double Crossline (Double Tripwire)
	Intelligent Identification	Loitering, Multi Loitering, Abandoned Object (Object Left), Missing Object (Object Lost)
	Statistical Analysis	Face Detection , People Counting, Human & Vehicle Detection, Abnormal Video & Audio Detection, Wrong Way Detection, Illegal Parking, Tampering / Masking / Scene Change, Abnormal Speed, Smoke & Fire Detection
	Alarm Management	Motion Detection, Tampering (Masking), Input & Output Event, Network Alarm, Disk Alarm, Day Night Switch Alarm, Abnormal Audio Alarm, Pre/Post Alarm Recording, Alarm Recording/Snapshot
	Alarm Notifications	E-mail, HTTP, FTP, SD Card & Alarm Out (Event Notification/ Recording/ Snapshot upload through E-mail, HTTP, FTP & SD Card)
	Auto Tracking	Supported
INTERFACE	Protocols	TCP/IP, UDP, IPv4, IPv6, ICMP, HTTP, HTTPS, FTP, DHCP, DNS, DDNS, RTP/RTCP, RTSP, PPPoE, NTP, UPnP, SMTP, IGMP, 802.1X, Unicast, Multicast, QoS, SNMP, ARP
	Security	IP filter, User Authentication (Multiple Privilege Level), User Access log, 802.1X authentication (EAP-MD5), Digest Authentication, HTTPS Encryption
	Compatibility	ONVIF Profile (S, G, T), SDK / CGI
	Network	1 x RJ45 10M/100M Self Adaptive Ethernet Port
	Alarm Interface	7 Input / 2 Output
	Serial Interface	1 x RS485
	CVBS	Supported
	Edge Storage	SD card slot, up to 256 GB
	ANR	Supported
	Heater	Supported
	Fan	Supported
	Wiper	Supported
	Max. User	32
	Client Application	EyeGuard
PAN AND TILT	Pan Range	0° ~ 360° (Endless)
	Pan Speed	Pan Manual Speed: 0.1°/s ~ 300°/s, Pan Preset Speed: 300°/s
	Tilt Range	-10° ~ 90° (Auto Flip)
	Tilt Speed	Tilt Manual Speed: 0.1°/s ~ 200°/s, Tilt Preset Speed: 300°/s
	Preset Accuracy	±0.2°
	3D Position	Supported
	PTZ Mode	6 Track, 12 Scan, 12 Tour (up to 32 presets per tour)
	Number of Preset	400
Power off Memory	Supported	

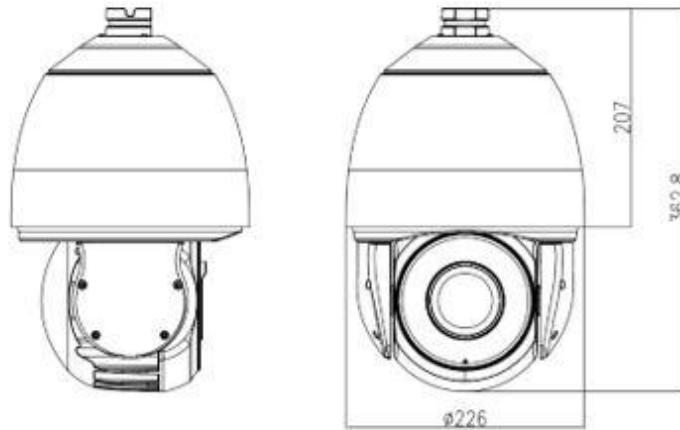
4MP HIGH SPEED PTZ DOME CAMERA



ENC-HHP7Z-500L-70

MODEL		ENC-HHP7Z-500L-70
	Type	4MP HIGH SPEED PTZ DOME CAMERA
GENERAL	Power Supply	DC 36V (Default) / AC 24V , PoE++ (IEEE 802.3bt)
	Max. Power Consumption	<45W
	Working Temperature	-40 °C ~ 70 °C
	Working Humidity	<95% RH
	Ingress Protection	IP67
	Vandal Resistant	IK10 (Housing)
	Surge Protection	TVS6000V
	Reset Button	Supported
	Dimensions	Φ226 × 362.8 mm
	Net Weight	5.5 kg

Dimension Unit : mm



ORDERING INFORMATION

Part Number	Description	Standard Quantity
ENC-HHP7Z-500L-70	4MP IR IP H.265 High Speed Dome with 45X Optical Zoom, PoE+ , SD Card Slot, WDR, Smart Analytics, Built-in Wiper and 500m Laser IR Support	1
ENB-BCPW66	Wall Mount Bracket for PTZ Camera	1
ENB-BCPP67	Pendant Mount Bracket for PTZ Camera	1
ENB-BCPH66	Corner Mount Bracket for PTZ Camera	1
ENB-BCPV66	Pole Mount Bracket for PTZ Camera	1
ENB-BCPJ66	Junction Box for PTZ Camera	1

PACKING INFORMATION

Part Number	Packing Mode	Gross weight(Kg)	Dimension(mm)
ENC-HHP7Z-500L-70	Carton Box	-	-