

JUNCTION BOX FOR EYENOR CAMERA



ENB-BCUJ66

FEATURES

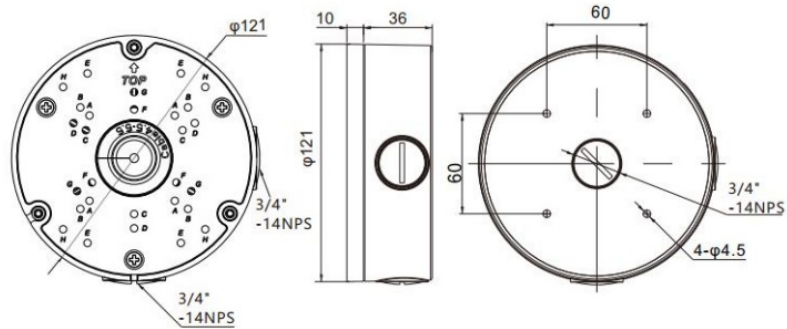
Aluminum Alloy
Max. Load Support up to 4 kg
Junction Box for Bullet Camera
IP66



SPECIFICATION

MODEL	Model No.	ENB-BCUJ66
	Type	JUNCTION BOX FOR EYENOR CAMERA
GENERAL	Construction	Aluminum Alloy
	Color	White
	Max. Weight Supported	4 kg
	Dimensions(LxWxH)	Ø121 x 46mm
	Weight	0.43 kg

Dimension Unit : mm



ORDERING INFORMATION

Part Number	Description	Standard Quantity
ENB-BCUJ66	Junction Box for Bullet Camera	1

PACKING INFORMATION

Part Number	Packing Mode	Gross weight(Kg)	Dimension(mm)
ENB-BCUJ66	Carton Box	-	-