

# WALL MOUNT BRACKET FOR DOME CAMERA



## ENB-BTDW67

### FEATURES

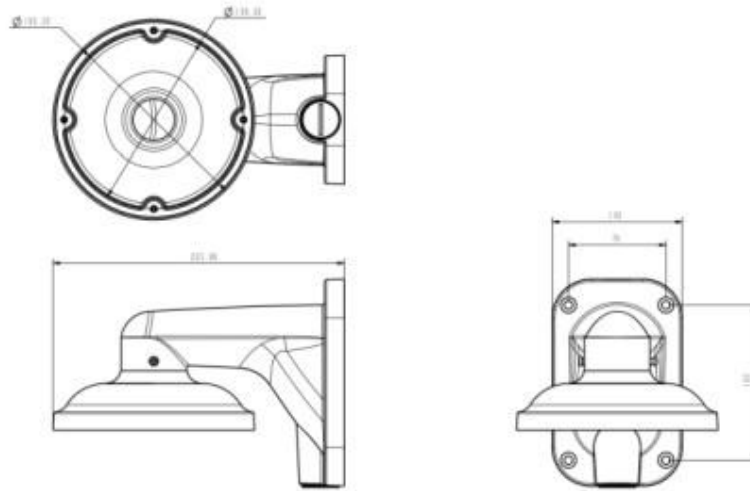
- Aluminum Alloy
- Max. Load Support up to 4.5 kg
- Wall Mount Bracket for Motorized Lens Dome Camera



### SPECIFICATION

MODEL	Model No.	ENB-BTDW67
	Type	WALL MOUNT BRACKET FOR DOME CAMERA
GENERAL	Construction	Aluminum Alloy
	Max. Weight Supported	4.5 Kg
	Dimensions(LxWxH)	224x100x160 mm
	Weight	660 g

Dimension Unit : mm



### ORDERING INFORMATION

Part Number	Description	Standard Quantity
ENB-BTDW67	Wall Mount Bracket for Motorized Lens Dome Camera (Metal)	1

### PACKING INFORMATION

Part Number	Packing Mode	Gross weight(Kg)	Dimension(mm)
ENB-BTDW67	Carton Box	-	-

★Product specification and availability are subject to change without notice.

►NORDEN® | WALL MOUNT BRACKET FOR DOME CAMERA - GB - Version: 2.0

[www.nordencommunication.com](http://www.nordencommunication.com)