

# 2MP CORROSION PROOF BULLET CAMERA



ENC-HBU5Z-100R-27

## FEATURES

316L Stainless Steel Construction

30X Optical Zoom, 16X Digital Zoom

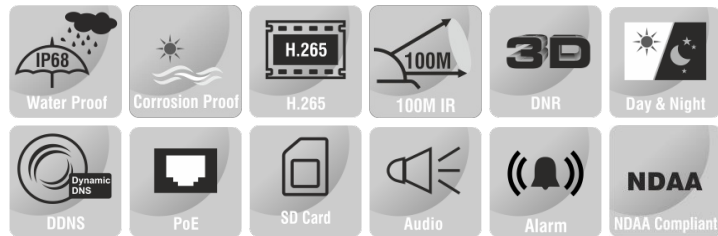
Smart IR up to 100 m

ONVIF Profile (S, G, T)

Quad Stream

Audio and Alarm Support

PoE, IP68



## SPECIFICATION

MODEL	Model No.	ENC-HBU5Z-100R-27
	Type	2MP CORROSION PROOF BULLET CAMERA
CAMERA	Image Sensor	1/2.8" CMOS Progressive 2.0 MegaPixel
	Day / Night	IR Cut Filter with Auto Switch
	Lens Type	Motorized Lens
	Focal Length	4.5 ~ 135 mm (Optional 4.3 ~ 129mm) Lens
	Focus	Auto / Semi Auto / Manual
	Iris	P Iris (Optional DC Auto Iris), Auto/ Manual
	Angle of View (H)	60.0°-2.5° (Optional 63.0° ~ 2.3°)
	Angle of View (V)	33.8°-1.4° (Optional 35.5° ~ 1.2°)
	Angle of View (D)	69.0°-2.9° (Optional 72.3° ~ 2.5°)
	Aperture Range	F1.6 ~ F4.4
	Optical Zoom	30X
	Digital Zoom	16X
	Shutter	1s - 1/100,000s, Auto/Manual
	Min. Illumination	Color: 0.001 lux @ F1.6, B/W: 0 lux with IR
	AGC	Auto / Manual
	Digital Noise Reduction	2D & 3D DNR, Auto / Manual
	S/N Ratio	≥55 dB
Defog	Smart Defog	
WDR	120 dB	
Smart IR	Up to 100 m	
Wavelength	850 nm	

# 2MP CORROSION PROOF BULLET CAMERA



## ENC-HBU5Z-100R-27

MODEL	Model No.	ENC-HBU5Z-100R-27
	Type	2MP CORROSION PROOF BULLET CAMERA
VIDEO	Max. Resolution	1920x1080
	Video Compression	H.265+, H.265, H.264, MJPEG
	Frame Rate	Main Stream: (1920x1080, 1280x720 )@ 50/60fps Sub Stream: (1920x1080, 1280x720, 704x576 ) @ 25/30fps Third Stream: (640x480, 352x288, 320x240, 176x144) @ 25/30fps Fourth Stream: (640x480, 352x288, 320x240, 176x144) @ 25/30fps (Optional)
	Stream Settings	i-Frame, PAL/NTSC, Frame Rate, EIS
	Video Bit Rate	100 kbps ~ 12 Mbps
	Bitrate Type	CBR, VBR
	Image Settings	Brightness, Contrast, Saturation, Sharpness, Day/Night (Color, Mono, Auto), Flip/Mirror/Rotation, Multiple Scene & Profile
	White Balance	Auto, Day/ Night, Tungsten, Manual
	Corridor Mode	Supported
	HLC	Supported
	BLC	Supported
	OSD	Total 8 regions
	OSD Type	Title, Week, Date, Time, Text with different colors and adaptable sizes, Image overlay
	ROI	Up to 8 regions
	Privacy Mask	Up to 8 regions
AUDIO	Audio Compression	G.711A, G.711U, RAW_PCM
	Audio I/O	1/1
	Audio Bit Rate	8 ~ 16 kbps
SMART	Behavior Detection	Intrusion (Perimeter), Crossline (Tripwire), Double crossline ( Double Tripwire)
	Intelligent Identification	Abandoned object (Object Left), Missing Object (Object Lost), Loitering, Multi Loitering
	Statistical Analysis	Face Detection , People Counting, Human & Vehicle Detection, Abnormal Video & Audio Detection, Wrong Way Detection, Illegal Parking, Tampering / Masking / Scene Change, Abnormal Speed
	Alarm Management	Motion Detection, Tampering (Masking), Input & Output Event, Network Alarm, Disk Alarm, Day Night Switch Alarm, Abnormal Audio Alarm, Pre/Post Alarm Recording, Alarm Recording/Snapshot
	Alarm Notifications	E-mail, HTTP, FTP, SD Card & Alarm Out (Event Notification/ Recording/ Snapshot upload through E-mail, HTTP, FTP & SD Card)
INTERFACE	Protocols	TCP/IP, UDP, IPv4, IPv6, ICMP, HTTP, HTTPS, FTP, DHCP, DNS, DDNS, RTP, RTSP, RTCP, PPPoE, NTP, UPnP, SMTP , IGMP, 802.1X, Unicast, Multicast, QoS, ARP, SNMP, Telnet, SSL/TLS1.2
	Security	TLS 128 Encryption, IP Filter, User Authentication (Multiple Privilege Level), 802.1X Authentication (EAP-MD5), HTTPS Authentication, RTSP Authentication, Digest Authentication, User Access Log
	Compatibility	ONVIF (S, G, T) , SDK, CGI
	Network	1 x RJ45 10M/100M Self Adaptive Ethernet Port
	Alarm Interface	2 Input / 2 Output
	Serial Interface	1xRS485
	Edge Storage	SD card slot, up to 256 GB
	ANR	Supported
	Built-in Heater	Supported (Optional)
	Built-in Fan	Supported
	Cable Interface	Pig Tail
Max User	32	
Client Application	EyeGuard	

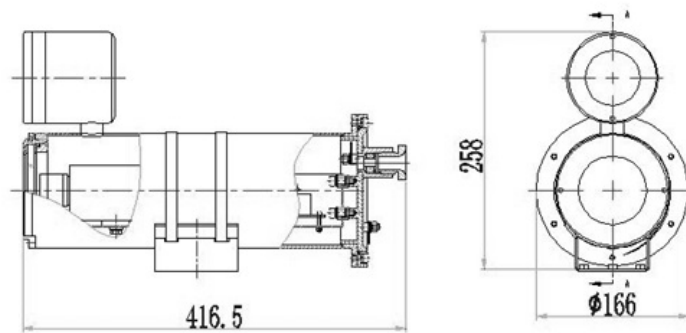
# 2MP CORROSION PROOF BULLET CAMERA



## ENC-HBU5Z-100R-27

MODEL	Model No.	ENC-HBU5Z-100R-27
	Type	2MP CORROSION PROOF BULLET CAMERA
GENERAL	Power Supply	AC 110V ~ 240V / 24V DC / 24V AC / PoE+ (802.3at-Type 2)
	Power Consumption	Max. 25W
	Working Temperature	-40 °C ~ 70 °C
	Working Humidity	≤95% RH
	Atmospheric pressure	80 kPa ~ 106 kPa
	Window glass	Strong tempered glass
	Surge Protection	Supported
	Ingress Protection	IP68
	Corrosion Resistant	Sprayed with Oxygen, Hydrogen Sulphide, Carbon Dioxide and Nitrogen
	Reset Button	Supported
	Dimensions	416.5x166x258 mm
	Net Weight	12 kg

Dimension Unit : mm



### ORDERING INFORMATION

Part Number	Description	Standard Quantity
ENC-HBU5Z-100R-27	2MP 60FPS SS316L Corrosion Proof IR IP H.265 Bullet Camera with 30X Optical Zoom Lens, PoE, SD Card Slot, WDR, Smart Analytics and 100m IR Support	1
ENB-BZUW68	Wall Mount Bracket for Eyenor Explosion / Corrosion Proof Bullet Camera	1
ENB-BZUH68	Corner Mount Bracket for Eyenor Explosion / Corrosion Proof Bullet Camera	1
ENB-BZUV68	Pole Mount Bracket for Eyenor Explosion / Corrosion Proof Bullet Camera	1
ENA-EXH010	1 Meter Explosion / Corrosion Proof Hose for Eyenor Explosion / Corrosion Proof Camera	1
ENA-EXH015	1.5 Meter Explosion / Corrosion Proof Hose for Eyenor Explosion / Corrosion Proof Camera	1
ENA-EXH020	2 Meter Explosion / Corrosion Proof Hose for Eyenor Explosion / Corrosion Proof Camera	1

### PACKING INFORMATION

Part Number	Packing Mode	Gross weight(Kg)	Dimension(mm)
ENC-HBU5Z-100R-27	Carton Box	-	-