

# 5MP CORROSION PROOF THERMAL PTZ CAMERA



**ENC-HPT8Z-30X-38**

## FEATURES

- 316L Stainless Steel Construction
- 640x512 Thermal Resolution
- 30X Optical Zoom
- ONVIF Profile (S, G, T)
- Quad Stream
- Audio and Alarm Support
- Wiper Support
- IP68



## SPECIFICATION

MODEL		ENC-HPT8Z-30X-38												
THERMAL CAMERA	Model No.	ENC-HPT8Z-30X-38												
	Type	5MP CORROSION PROOF THERMAL PTZ CAMERA												
	Detector Type	Uncooled VOx Focal Plane Arrays												
	Effective Pixels	640x512 and Image can be scaled up to 1280x1024												
	Pixel Size	12um (640x512)												
	Thermal Sensitivity (NETD)	≤40 mK												
	Spectral Range	8~14 um												
	Image Setting	Brightness, Sharpness, Contrast, 3D DNR, Mirror / Flip, FFC												
	Color Palettes	White & Black Hot, Ironbow, Rainbow etc. up to 17 modes												
	Iris	Auto Fixed IRIS												
DVE Image Enhance	Supported													
THERMAL LENS	Lens	Fixed												
	Focus Control	Motorized Focus												
	Focal Length	25/50/75/100 mm												
	Frame Rate	Main Stream: (1280x1024, 1280x720, 640x512) @ 25/30fps Sub Stream: (D1, CIF) @ 25/30fps												
	Video Bit Rate	100kbps ~ 8 Mbps												
	F No.	1.0												
	Angle of View	25mm	50mm	75mm	100mm									
		17.0°(H), 14.0°(V)	8.0°(H), 7.0°(V)	6.0°(H), 5.0°(V)	4.3°(H), 3.5°(V)									
	Thermal imaging	Object	Human(1.8mx0.5m)				Vehicle(4mx1.5m)				Fire(1mx1m)			
		Lens (mm)	25	50	75	100	25	50	75	100	25	50	75	100
Detection(m)		1040	2081	3121	4161	3194	6389	9583	12778	1042	2083	3125	4167	
Recognition(m)		260	520	780	1040	799	1597	2396	3194	347	694	1042	1389	
Identification(m)		130	260	390	520	399	799	1198	1597	174	347	521	694	

# 5MP CORROSION PROOF THERMAL PTZ CAMERA



## ENC-HPT8Z-30X-38

MODEL	Model No.	ENC-HPT8Z-30X-38
VISIBLE CAMERA	Type	5MP CORROSION PROOF THERMAL PTZ CAMERA
	Image Sensor	1/2.8" CMOS Progressive 5.0 MegaPixel
	Day / Night	IR Cut Filter with Auto Switch
	Lens Type	Motorized Lens
	Focal Length	4.5-135 mm (Optional 4.3 to 129mm) Lens
	Focus	Auto / Semi Auto / Manual
	Iris Type	DC Auto Iris
	Angle of View (H)	60.7° ~ 2.2° (Optional 63.0° ~ 2.3°)
	Angle of View (V)	34.2° ~ 1.2° (Optional 37.0° ~ 1.2°)
	Angle of View (D)	69.7° ~ 2.5° (Optional 73.0° ~ 2.5°)
	Aperture Range	F1.6 ~ F4.3
	Optical Zoom	30x
	Digital Zoom	16x
	Shutter	1s - 1/100,000s, Auto/Manual
	Min. Illumination	Color: 0.001 lux @ F1.6, B/W: 0 lux with IR
	AGC	Auto / Manual
	Digital Noise Reduction	2D & 3D DNR, Auto / Manual
	S/N Ratio	≥55 dB
Defog	Smart Defog	
WDR	120 dB	
VIDEO	Max. Resolution	2592x1944
	Video Compression	H.265+, H.265, H.264, MJPEG
	Frame Rate	Main Stream: (2592x1944) @ 25/30 fps, (1920x1080, 1280x720) @ 50/60fps Sub Stream: (1920x1080, 1280x720, 704x576) @ 25/30fps Third Stream: (640x480, 352x288, 320x240, 176x144) @ 25/30fps Fourth Stream: (640x480, 352x288, 320x240, 176x144) @ 25/30fps (Optional)
	Stream Settings	i-Frame, PAL/NTSC, Frame Rate, EIS, SVC
	Video Bit Rate	100 kbps ~ 12 Mbps
	Bitrate Type	CBR, VBR
	Image Settings	Brightness, Contrast, Saturation, Sharpness, Day/Night (Color, Mono, Auto), Flip/Mirror/Rotation, Multiple Scene & Profile Auto, Day/Night, Tungsten, Manual
	White Balance	Auto / Manual
	HLC	Supported
	BLC	Supported
	OSD	Supported
	ROI	Up to 8 regions
	Privacy Mask	Up to 4 regions
	AUDIO	Audio Compression
Audio I/O		1/1
Audio Bit Rate		8 ~ 16 Kbps
SMART	Behavior Detection	Intrusion (Perimeter), Crossline (Tripwire), Loitering
	Intelligent Identification	Abandoned object (Object Left), Missing Object (Object Lost), Loitering, Multi Loitering
	Statistical Analysis	Face Detection, People Counting, Human & Vehicle Detection, Abnormal Video & Audio Detection, Wrong Way Detection, Illegal Parking, Tampering / Masking / Scene Change, Abnormal Speed
	Alarm Management	Motion Detection, Tampering (Masking), Input & Output Event, Network Alarm, Disk Alarm, Day Night Switch Alarm, Abnormal Audio Alarm, Pre/Post Alarm Recording, Alarm Recording/Snapshot
	Alarm Notifications	E-mail, HTTP, FTP, SD Card & Alarm Out (Event Notification/ Recording/ Snapshot upload through E-mail, HTTP, FTP & SD Card)
	Auto Tracking	Supported **Will be available in next FW version
TEMPERATURE	Detection Mode	Spot, Line, Area
	Alarm	Over/Difference Alarm
	Accuracy	±2°C / ±2%
	Response Time	≤30ms
	Measurement range	Up to 900 °C (±0.2°C accuracy up to 15M and ±15-20% accuracy up to 50M)
Display mode	Temperature target > 5°C, Display absolute temperature value; Temperature target ≤ 5°C, Display relative temperature value (Temperature difference DEV = highest value - average)	

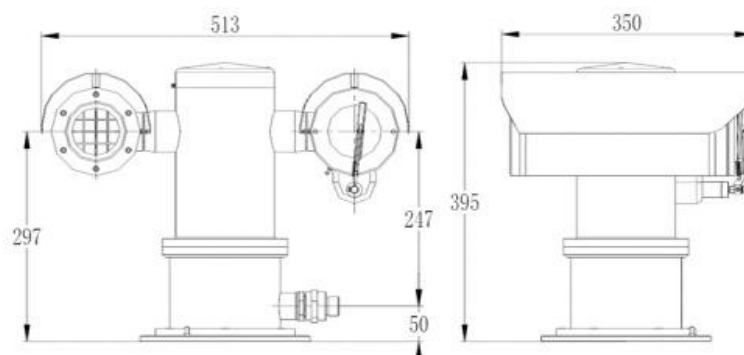
# 5MP CORROSION PROOF THERMAL PTZ CAMERA



## ENC-HPT8Z-30X-38

MODEL		ENC-HPT8Z-30X-38
Type		5MP CORROSION PROOF THERMAL PTZ CAMERA
Protocols		TCP/IP, UDP, IPv4, IPv6, ICMP, HTTP, HTTPS, FTP, DHCP, DNS, DDNS, RTP, RTSP, RTCP, PPPoE, NTP, UPnP, SMTP, IGMP, 802.1X, Unicast, Multicast, QoS, ARP, SNMP, Telnet, SSL/TLS1.2
Security		TLS 128 Encryption, IP Filter, User Authentication (Multiple Privilege Level), 802.1X Authentication (EAP-MD5), HTTPS Authentication, RTSP Authentication, Digest Authentication, User Access Log
Compatibility		ONVIF (S, G, T), SDK, CGI
Network		1 x RJ45 10M/100M Self Adaptive Ethernet Port
Alarm Interface		1 Input / 1 Output
Serial Interface		1xRS485
Edge Storage		SD card slot, up to 256 GB
ANR		Supported
Built-in Heater		Supported(Optional)
Wiper		Supported
Max. User		32
Client Application		EyeGuard
Pan Range		360°
Pan Speed		Pan Manual Speed: 0.1°/s ~ 45°/s, Pan Preset Speed: 45°/s
Tilt Range		-90 ~ +90°
Tilt Speed		Tilt Manual Speed: 0.1°/s ~ 45°/s, Tilt Preset Speed: 45°/s
Preset Accuracy		±0.1°
Preset		300
Resume function		Supported
Auto Cruise		Supported
Auto Scan		Supported
Power Supply		AC 100 ~ 240 V
Max.Power Consumption		≤100W (with thermostat)
Working Temperature		-40°C ~ 70°C
Working Humidity		≤95% RH (non-condensing)
Atmospheric pressure		80 kPa ~ 110 kPa
Window glass		Strong Tempered Glass
Sun shade		Supported
Ingress Protection		IP68
Vandal Resistant		IK10(Housing)
Surge Protection		TVS6000V
Reset Button		Supported
Dimensions		513x350x395 mm
Net Weight		30 kg

Dimension Unit : mm



# 5MP CORROSION PROOF THERMAL PTZ CAMERA



## ENC-HPT8Z-30X-38

MODEL	Model No.	ENC-HPT8Z-30X-38
	Type	5MP CORROSION PROOF THERMAL PTZ CAMERA

### ORDERING INFORMATION

Part Number	Description	Standard Quantity
ENC-HPT8Z-30X-38	5MP SS316L Corrosion-proof IP Thermal PTZ camera with 640*512 Thermal Resolution, 25mm (optional 50, 75, 100mm) Motorised Focus Thermal Lens, 30X Visible Optical Zoom, Wiper and SD card slot Support	1
ENB-BZPW68	Wall Mount Bracket for Eyenor Explosion / Corrosion Proof PTZ Camera	1
ENB-BZPH68	Corner Mount Bracket for Eyenor Explosion / Corrosion Proof PTZ Camera	1
ENB-BZPV68	Pole Mount Bracket for Eyenor Explosion / Corrosion Proof PTZ Camera	1
ENA-EXH010	1 Meter Explosion / Corrosion Proof Hose for Eyenor Explosion / Corrosion Proof Camera	1
ENA-EXH015	1.5 Meter Explosion / Corrosion Proof Hose for Eyenor Explosion / Corrosion Proof Camera	1
ENA-EXH020	2 Meter Explosion / Corrosion Proof Hose for Eyenor Explosion / Corrosion Proof Camera	1

### PACKING INFORMATION

Part Number	Packing Mode	Gross weight(Kg)	Dimension(mm)
ENC-HPT8Z-30X-38	Carton Box	-	-