

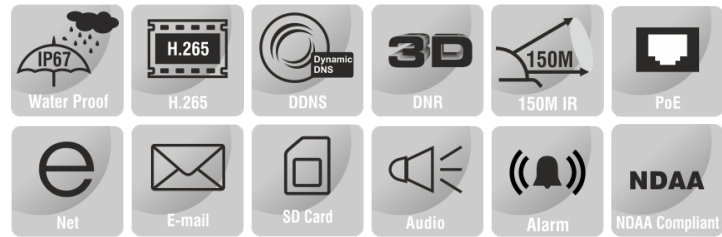
8MP PTZ DOME CAMERA



ENC-HHPAZ-150R-20

FEATURES

Starlight Illumination
 25X Optical Zoom
 Smart IR up to 150 m
 ONVIF Profile (S, G)
 Triple Stream
 Audio and Alarm Support
 PoE +, IP67



SPECIFICATION

MODEL	Model No.	ENC-HHPAZ-150R-20
CAMERA	Type	8MP PTZ DOME CAMERA
	Image Sensor	1/2.8" CMOS Progressive 8.0 MegaPixel
	Day / Night	IR Cut Filter with Auto Switch
	Lens Type	Motorized Zoom Lens
	Focal Length	5 ~ 125 mm
	Focus	Auto / Semi Auto / Manual
	Iris Type	Auto Iris
	Angle of View (H)	55.6 ° ~ 2.4 °
	Angle of View (V)	31.4 ° ~ 1.3 °
	Angle of View (D)	63.8 ° ~ 2.7 °
	Aperture Range	F1.65 ~ F3.8
	Optical Zoom	25X
	Digital Zoom	16X
	Zoom Speed	<3.6s
	Shutter	1s to 1/100,000s
	Min. Illumination	Color: 0.01 lux @ F1.65, B/W: 0.002 lux with IR
	AGC	Auto / Manual
	Digital Noise Reduction	3D DNR, Auto / Manual
	S/N Ratio	≥52 dB
	Defog	Smart Defog
WDR	120 dB	
Smart IR	Up to 150 m	
Wavelength	850 nm	

8MP PTZ DOME CAMERA



ENC-HHPAZ-150R-20

MODEL	Model No.	ENC-HHPAZ-150R-20
	Type	8MP PTZ DOME CAMERA
VIDEO	Max. Resolution	3840x2160
	Video Compression	H.265+, H.265, H.264+, H.264, MJPEG
	Frame Rate	Main Stream: (3840 × 2160, 2560 × 1440, 1920 × 1080, 1280 × 960, 1280 × 720) @ 25/30fps Sub Stream: (704 × 480, 640 × 480, 352 × 240) @ 30fps, (704 × 576, 640 × 480, 352 × 288) @ 25fps Third Stream: (1920 × 1080, 1280 × 960, 1280 × 720, 704 × 480, 640 × 480, 352 × 240) @ 30fps, (1920 × 1080, 1280 × 960, 1280 × 720, 704 × 576, 640 × 480, 352 × 288) @ 25fps
	Stream Settings	i-Frame, PAL/NTSC, Frame Rate, EIS
	Video Bit Rate	64 kbps ~ 16 Mbps
	Bitrate Type	CBR, VBR
	Image Settings	Brightness, Contrast, Saturation, Sharpness, Mirror, Flip, Gain, Day/Night
	White Balance	Auto, Manual, Indoor, Outdoor
	HLC	Supported
	BLC	Supported
	OSD	Total 8 regions
	OSD Type	Title, Week, Date, Time, Text with different colors and adaptable sizes, Image overlay
	Privacy Mask	Up to 4 regions
AUDIO	Audio Compression	G.711 A, G.711 U
	Audio Bit Rate	64 kbps
	Audio I/O	1/1
SMART	Behavior Detection	Intrusion (Perimeter), Crossline (Tripwire), Double Crossline (Double Tripwire), Region Entry / Exit
	Statistical Analysis	Human & Vehicle Classification
	Alarm Management	Motion Detection, Tampering (Masking)
	Alarm Notification	HTTP, FTP, SD Card & Alarm Out (Event Notification / Recording / Snapshot upload through HTTP, FTP, & SD Card)
	Auto Tracking	Supported
INTERFACE	Protocols	TCP/IP, UDP, IPv4, IPv6, ICMP, HTTP, HTTPS, FTP, DHCP, DNS, DDNS, RTP, RTSP, RTCP, PPPoE, NTP, UPnP, SMTP (SSL/TLS), IGMP, 802.1X, QoS (DSCP), Unicast, Multicast, SNMP, RTMP, ARP, TLS, Telnet
	Security	AES Video Encryption, IP Filter, User authentication (multiple privilege level), 802.1X authentication
	Compatibility	ONVIF (Profile S, G), SDK/API
	Network	1 x RJ45 10M/100M Self Adaptive Ethernet Port
	Alarm Interface	1 Input / 1 Output
	Edge Storage	One Micro SD card slot, up to 256 GB
	ANR	Supported
	Heater	Supported
	Fan	Supported
	Cable Interface	Pig Tail
PAN AND TILT	Max. User	16
	Web Language	13
	Pan Range	360° (Endless)
	Pan Speed	Pan Manual Speed: 0.1°/s ~ 200°/s, Pan Preset Speed: 240°/s
	Tilt Range	-10° ~ 90° (Auto flip)
	Tilt Speed	Tilt Manual Speed: 0.1°/s ~ 200°/s, Tilt Preset Speed: 240°/s
	3D Position	Supported
	Cruise	8, up to 16 presets per cruise
	Trace	4
Number of Preset	360	
Power off Recovery	Supported	

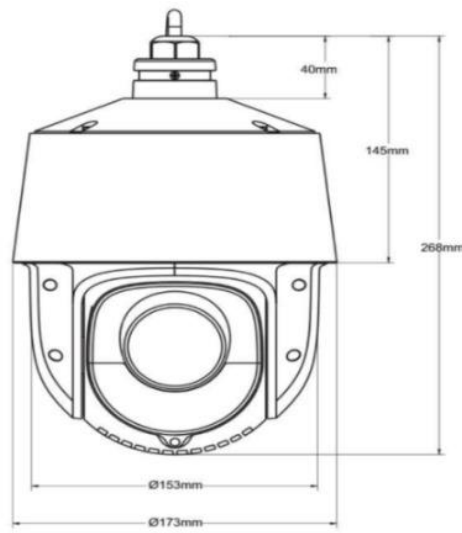
8MP PTZ DOME CAMERA



ENC-HHPAZ-150R-20

MODEL		ENC-HHPAZ-150R-20
	Model No.	ENC-HHPAZ-150R-20
	Type	8MP PTZ DOME CAMERA
GENERAL	Power Supply	12V DC, PoE+(IEEE802.3at)
	Max. Power Consumption	24 W (IR ON)
	Working Temperature	-40 °C ~ 70 °C
	Working Humidity	0-95% RH (non-condensing)
	Ingress Protection	IP67
	Vandal Resistant	IK10 (Housing)
	Surge Protection	TVS6000V
	Reset Button	Supported
	Dimensions	Φ173×268 mm
	Net Weight	2.1 kg

Dimension Unit : mm



ORDERING INFORMATION

Part Number	Description	Standard Quantity
ENC-HHPAZ-150R-20	8MP Starlight IR IP H.265 High Speed PTZ Dome Camera with 25X Optical Zoom, PoE+, Micro SD Card Slot, WDR, Smart Analytics and 150m IR Support	1
ENB-BVPW66	Eyenor Wall Mount Bracket for PTZ Camera (Included in Device Package)	1
ENB-BVPV66	Eyenor Pole Mount Bracket for PTZ Camera	1
ENB-BVPH66	Eyenor Corner Mount Bracket for PTZ Camera	1
ENB-BVPP66	Eyenor Pendant Bracket for PTZ Camera	1

PACKING INFORMATION

Part Number	Packing Mode	Gross weight(Kg)	Dimension(mm)
ENC-HHPAZ-150R-20	Carton Box	-	-